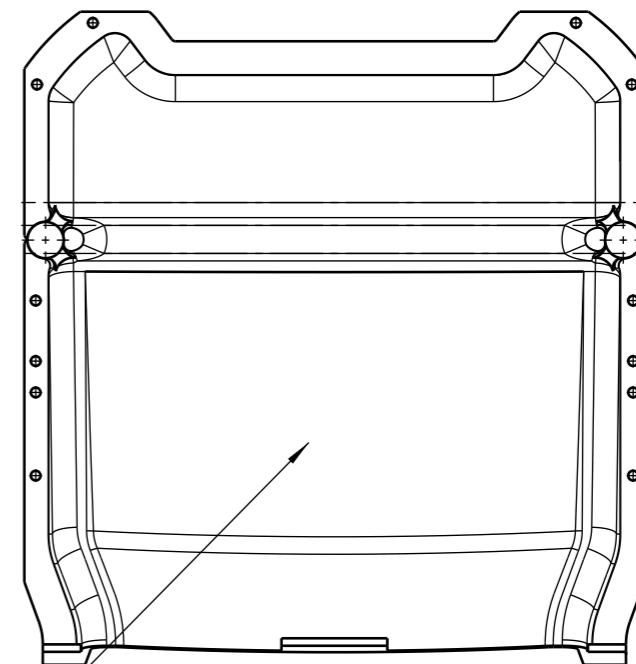
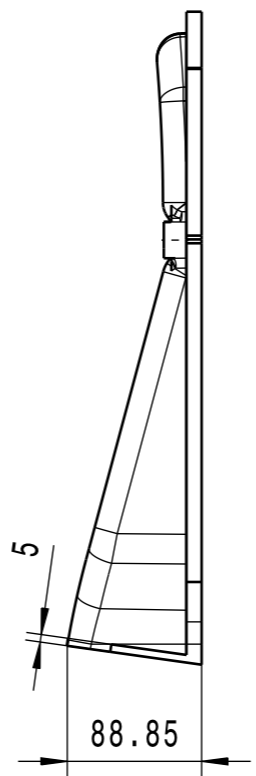
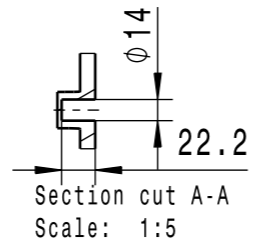
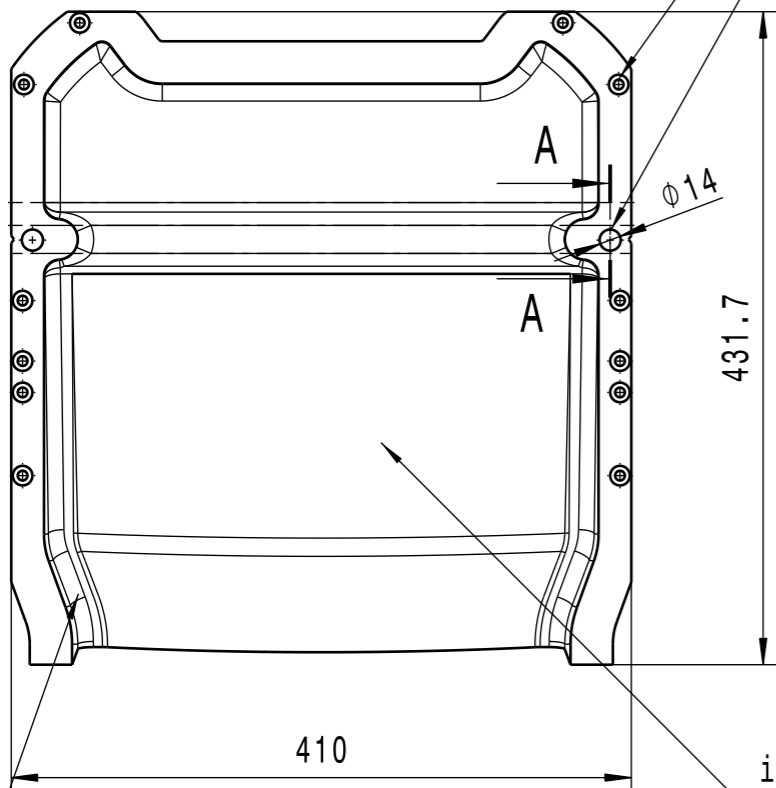


Countersunk for screws

Counterbore for centering pins



Outside rough cutting

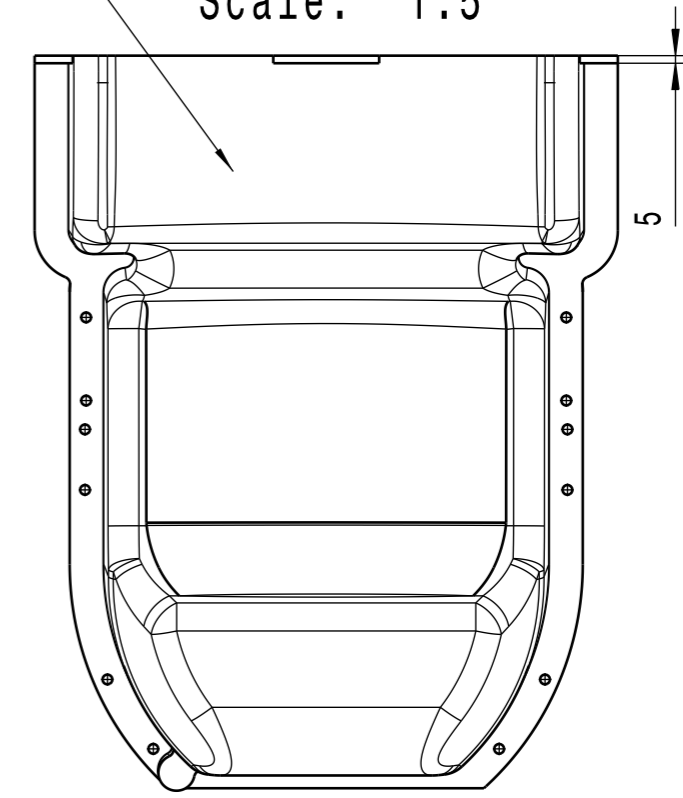
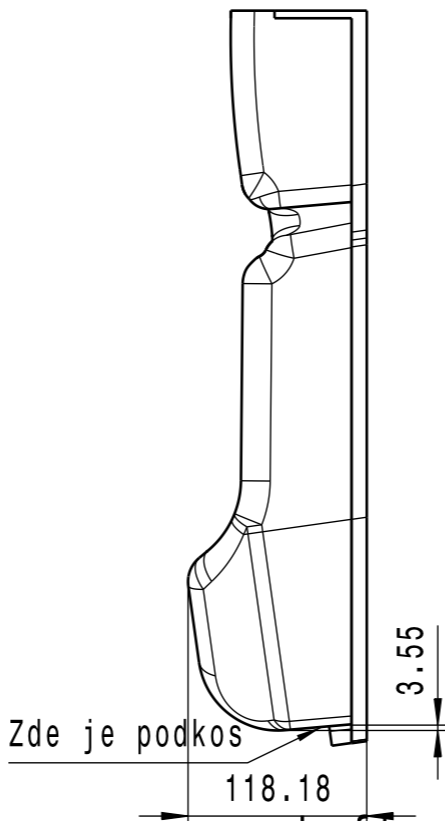
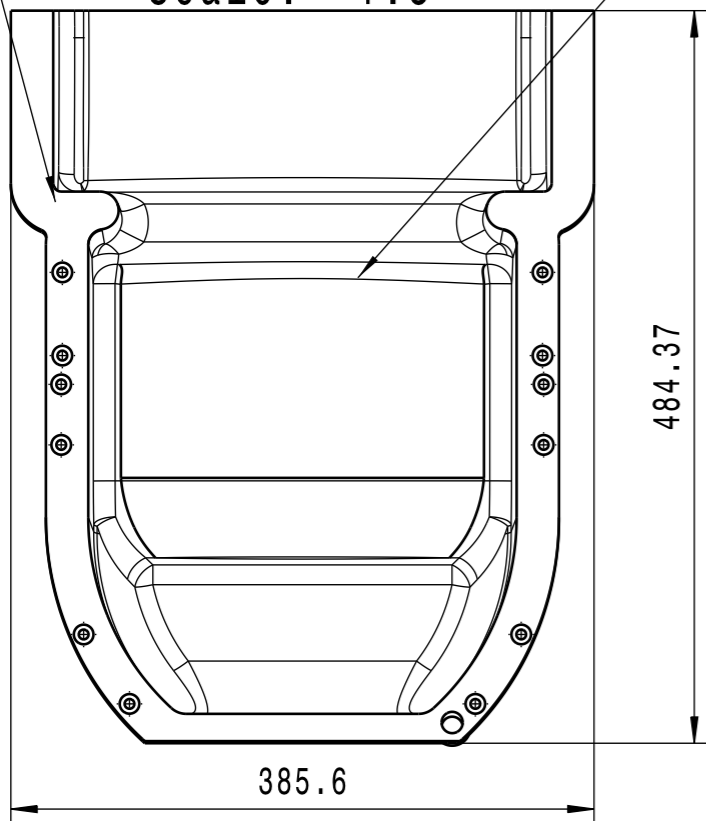
Front view  
Scale: 1:5

Left view  
Scale: 1:5

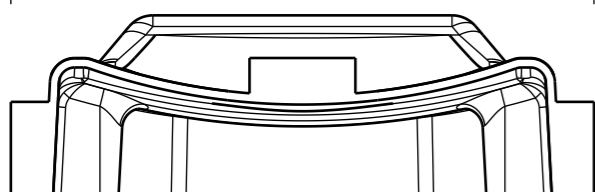
Rear view  
Scale: 1:5

Mould join

inside Ra3,2



Rear view  
Scale: 1:5



Left view  
Scale: 1:5