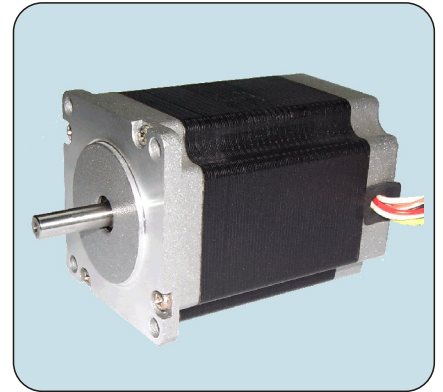


MOTORIZE YOUR WORLD, AUTOMATE YOUR DREAMS!

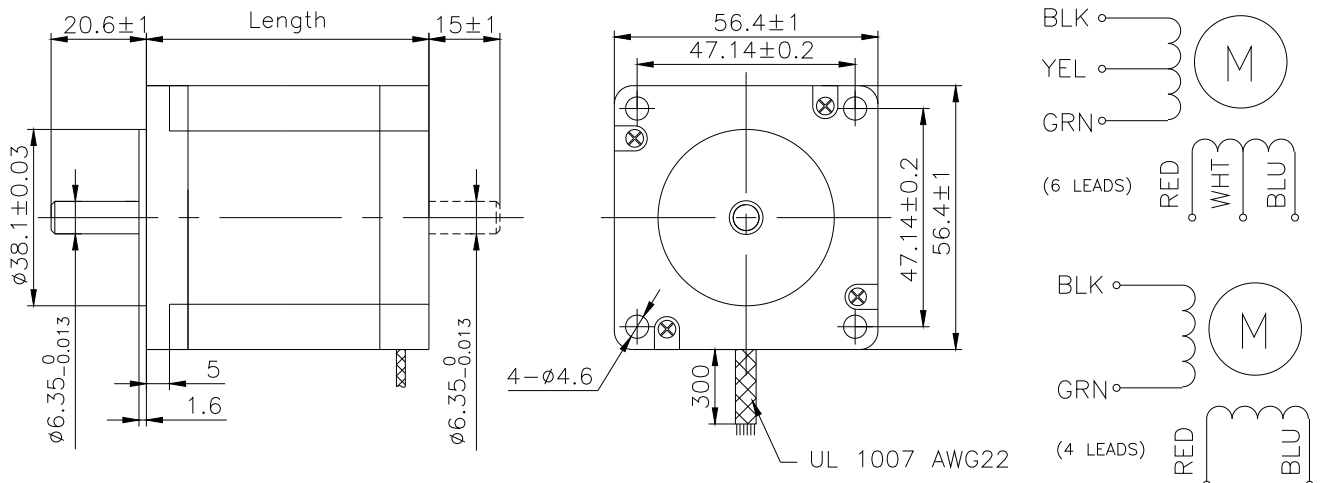
57mm Series (NEMA 23 size)
1.8Degree High Torque Type



Step Angle	1.8° (+/-5%@ full step, no load)
Resistance Accuracy	+/-10%
Inductance Accuracy	+/-20%
Temperature Rise	80DegreeC MAX.
Ambient Temperature	-20 ~ +50 DegreeC
Shaft Radial Play	0.02MAX @ 450g-load
Shaft Axial Play	0.08MAX @ 450g-load
MAX Radial Force	75N @ 20mm from the flange
MAX Axial Force	15N
Dielectric Strength	500VAC for one minute
Insulation Resistance	MIN 100Mohms, 500VDC

Model		Rated Voltage	Current /Phase	Resistance /Phase	Inductance /Phase	Holding Torque	Leads Number	Rotor Inertia	Approx. Weight	Detent Torque	Body Length
Single Shaft	Double Shaft										
LDO-57STH***		V	A	ohms	mH	Kg.cm		g.cm ²	Kg	Kg.cm	mm
***41-1006A	***41-1006B	5.7	1	5.7	5.4	3.9	6	120	0.45	0.21	41
***41-2006A	***41-2006B	2.8	2	1.4	1.4	3.9	6				
***41-3006A	***41-3006B	1.9	3	0.63	0.6	3.9	6				
***41-2804A	***41-2804B	2.0	2.8	0.7	1.4	5.5	4				
***51-1006A	***51-1006B	6.6	1	6.6	8.2	7.2	6	275	0.65	0.36	51
***51-2006A	***51-2006B	3.3	2	1.65	2.2	7.2	6				
***51-3006A	***51-3006B	2.2	3	0.74	0.9	7.2	6				
***51-2804A	***51-2804B	2.3	2.8	0.83	2.2	10.1	4				
***56-1006A	***56-1006B	7.4	1	7.4	10	9.0	6	300	0.70	0.40	56
***56-2006A	***56-2006B	3.6	2	1.8	2.5	9.0	6				
***56-3006A	***56-3006B	2.3	3	0.75	1.1	9.0	6				
***56-2804A	***56-2804B	2.5	2.8	0.9	2.5	12.6	4				
***76-1006A	***76-1006B	8.6	1	8.6	14	13.5	6	480	1.00	0.68	76
***76-2006A	***76-2006B	4.5	2	2.25	3.6	13.5	6				
***76-3006A	***76-3006B	3.0	3	1.0	1.6	13.5	6				
***76-2804A	***76-2804B	3.2	2.8	1.13	3.6	18.9	4				

(Model format: LDO-57STH76-2804A)



Note: NEMA8, 11, 14, 15, 17, 23, 34, 43 size are available for stepping motors, and 0.9Degree Step is also available.