



er8 spindle



Download the AliExpress app

Jesenik/EN/ CZK

Hi, Zdeněk Account

Cart



G-PENNY
Machine

36000RPM 600HZ

G-Penny 300W ER8 D48 AC Nature Cooled Spindle Motor 600HZ
36000RPM 52V H100 Inverter Kit Use for Desktop Engraving Machine

1 sold

CZK6,480.16 25% off ~~CZK8,640.28~~

Price includes VAT

🔥 CZK21.44 off over CZK21.65

Color: 110v Inverter input

220v Inverter input

110v Inverter input

More price information ⓘ



0.3KW ER8 Nature cooled Spindle motor



CZK6,480.16

25% off CZK8,640.28
Price includes VAT

Color: 110v Inverter input [Edit](#)

Sold by G-PENNY MACHINE ... (Trader) >

Ship to Jeseník, Olomouc Region, Cz...

Service commitment

📦 Shipping: CZK1,519.12 >

Delivery: Nov. 17

🔄 Return&refund policy >

🔒 Security & Privacy Safe payments Secu... >

Quantity

- 1 +

99 available

Buy now

Add to cart

🔗 Share

♡ 1

📍 Customer Reviews Specifications Description Store More to love

Reviews

Related items

<p>Choice Nema17 Stepper...</p> <p>CZK145.57</p> <p>★★★★☆ 4.9 218 sold</p> <p>🔥 Top selling on AliExpre</p> <p>Bundle deals ></p>	<p>Choice Stepper Motor D...</p> <p>CZK135.54</p> <p>★★★★☆ 4.8 500+ sold</p> <p>🔥 Top selling on AliExpre</p> <p>Free shipping over CZK2:</p>	<p>For extra money</p> <p>CZK26.8 CZK26.8</p> <p>9 sold</p>	<p>G-Penny 300W ER8 D...</p> <p>CZK4,773.24</p> <p>1 sold</p>	<p>Makerbase MK.</p> <p>CZK954.22</p> <p>★★★★☆ 4.1 112</p> <p>🔥 Top selling on A</p>
--	---	---	--	---

Specifications

High-concerned chemical	None	Origin	Mainland China
Brand Name	G-PENNY MACHINE	Drive	Motor
Operating Speed	36000	Model Number	GP48-0.3-36K
Application	Milling	Power	0.3KW
Voltage	52V	Frequency	600HZ
Speed	36000	Cooling type	Nature cooled
Collet/Nut	ER8	Inverter	H100 1.5KW

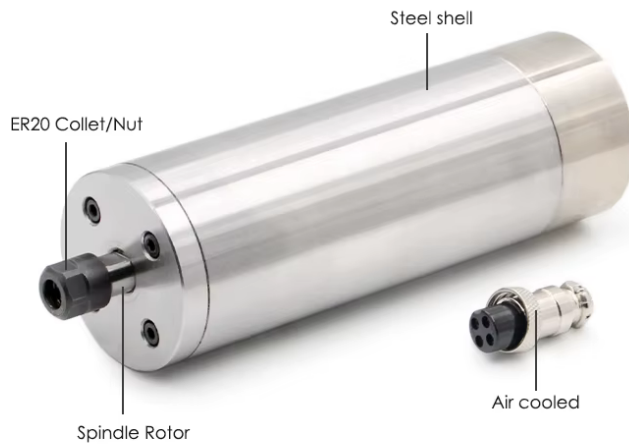
Description

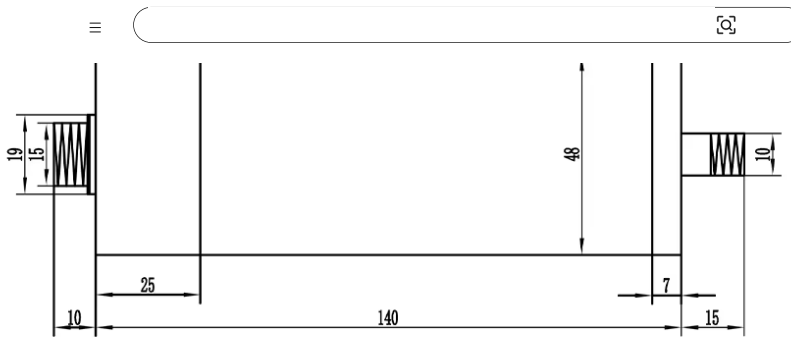
Report Item

Jesenik/EN/
CZKHi, Zdeněk
Account0
Cart**0.3KW ER8 Nature cooled Spindle motor****Product Package**

1 PCS & 300W ER8 D48 Nature cooled spindle motor 52V 600HZ 36000RPM

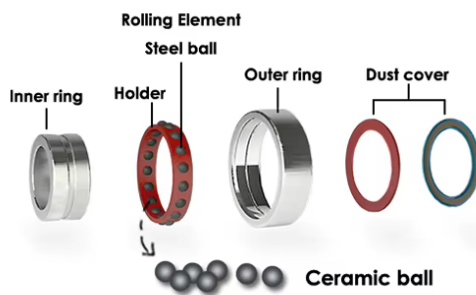
1 PCS & 1.5KW H100 Inverter

Product Description**Basic parameter:****Size:** 48x165mm**Speed Ways:** Through 3-phase output inverter and adjust the inverter frequency to change the spindle speed.**Power Interface:** The air plug marked "1", "2", "3", "4", "1", "2", "3" were connected to inverter (U, V, W), 4 connected inverter ground.**Power:** 0.3kw**Voltage:** 52v**Current:** 6A**Frequency:** 600Hz**Speed:** 36000rpm**Diameter(mm):** 48**4pcs fully sealed angular contact bearings Ceramic ball bearings****Collet:** ER8**Grease Lubrication**

Jesenik/EN/
CZKHi, Zdeněk
Account

Application: Crafts, desktop engraving machines, ivory carving equipment.etc.

The difference between the ceramic bearings and steel bearings



1. Our Ceramic ball bearings spindle use ceramic ball bearings.
2. Ceramic ball bearings are resistant to high temperatures and low heat, usually 3-5 degrees lower than steel ball bearings during using.
3. Ceramic ball bearings have low friction, low noise and long service life.



Download the
AliExpress app

Jesenik/EN/
CZK

Hi, Zdeněk
Account

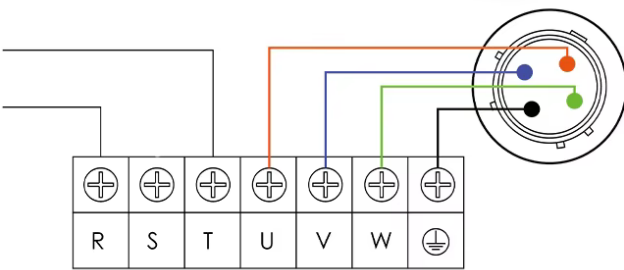
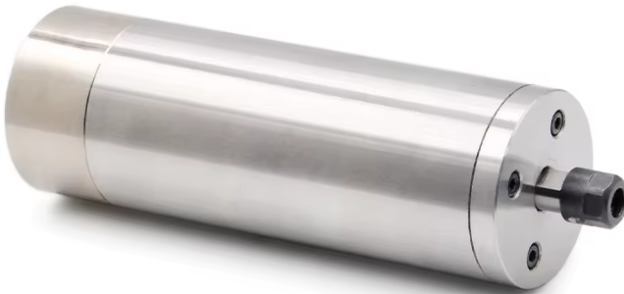
0
Cart



ER8 Collet / nut
Fully sealed P4 angular contact bearings (Ceramic ball bearings)

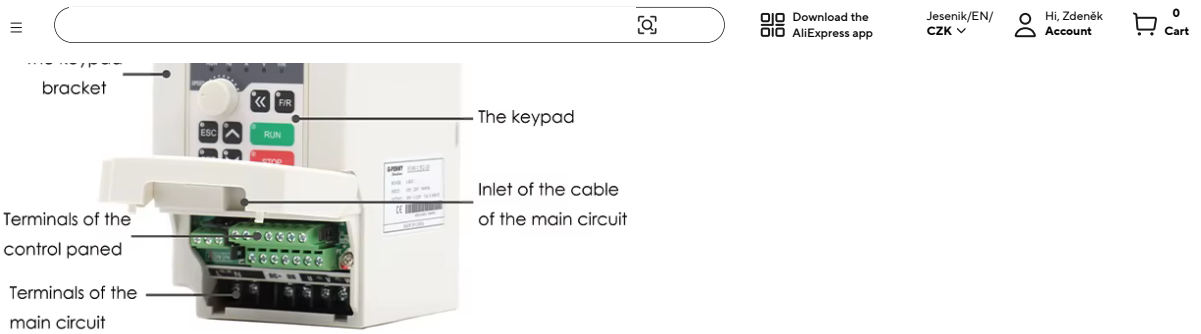


Pin-4 connecting to spindle body to avoid electric shock .



Product Package





Power: 1.5KW

Input Voltage: 110v/220v

Curent: 14A(110V) / 7A(220V)

Output Voltage: 0~110v/220v

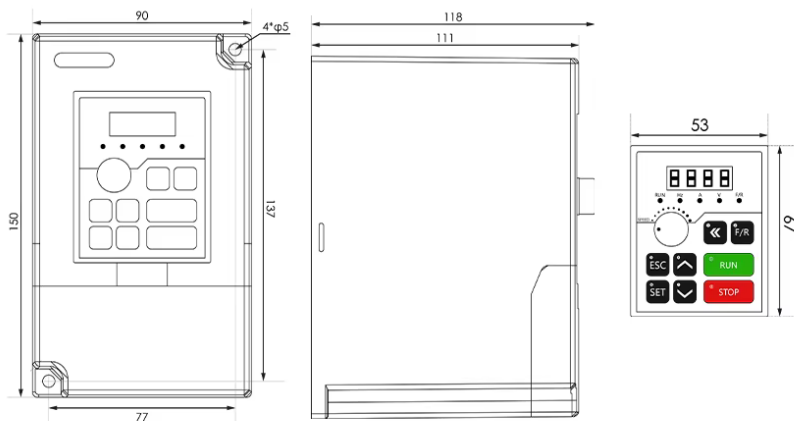
Input Frequency: 50/60 Hz

Output Frequency: 0-1000 Hz

Input Phase: 1 phase

Output Phase: 3 phase

Warranty: 1 year from the date you purchased



1. The outer plastic shell of the inverter is made of ABS flame retardant raw material, which is flame retardant and not easy to break.
2. The inverter cooling fan is a domestic first-line brand Huaxia Hengtai, the air volume is more than 20% higher than that of ordinary fans, and the service life is more than 5 years.
3. There is an independent cooling air duct inside the inverter, which can form an independent space and effectively prevent dust, water mist, etc. from entering the circuit board.
4. With MODBUS485 communication function, built-in braking unit.
5. Built-in PID setting, speed tracking, multi-function relay output, multiple fault protection, multiple state feedback torque control, analog setting.
6. The capacitor brand used in the inverter is Taiwan loose control, the temperature resistance is 105 degrees, and the temperature resistance of ordinary capacitors is 80 degrees.
7. The maximum output frequency of the inverter can reach 1000HZ,
8. Currently has CE certificate, CSA certification program has passed, in certification.
9. Heavy load and high torque, 1HZ can reach full torque.



Download the
AliExpress app

Jesenik/EN/
CZK

Hi, Zdeněk
Account

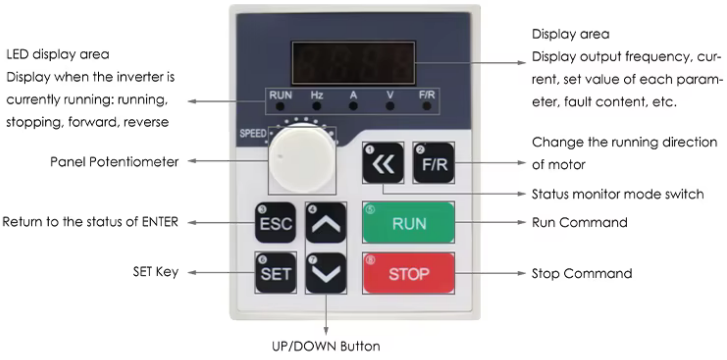
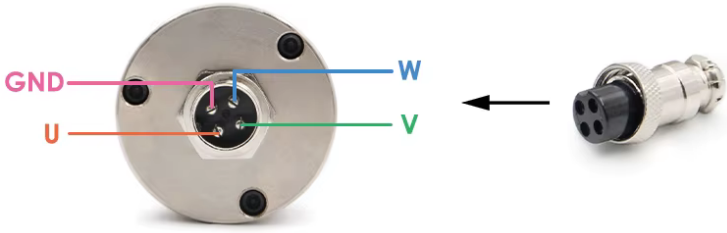
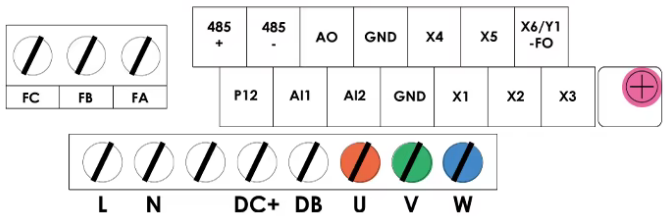
0
Cart

Some questions about inverter

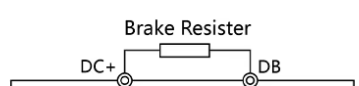
DO NOT set up the inverter by yourself if you don't know how to, or it will make both the spindle and inverter burn easily.
Please contact us, we have manuals, videos and pictures to help you.

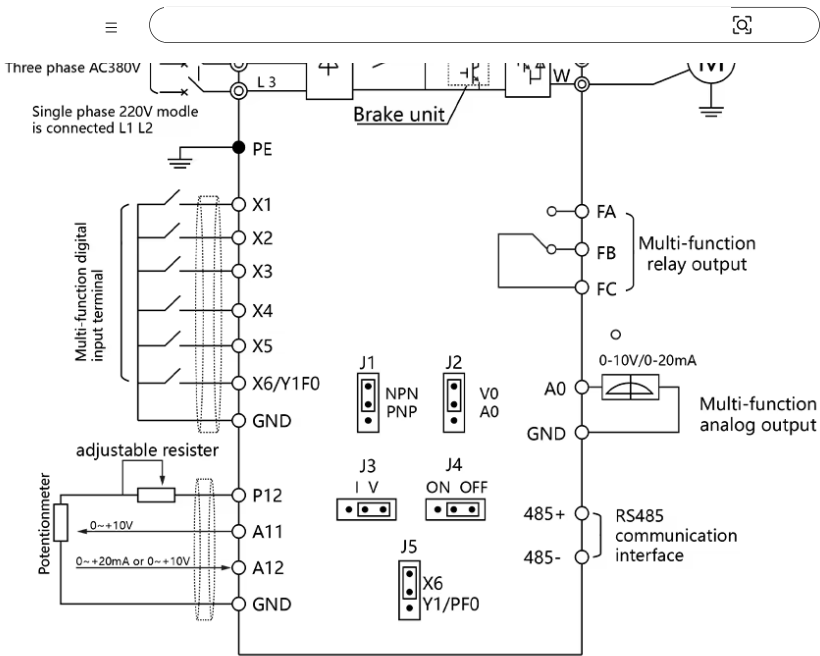


Jesenik/EN/
CZK



icon	Key name	Function description
	SET	Enter into menu, enter into parameter or parameter data writing confirm
	ESC	Return to the status of "ENTER"
	UP	Parameters of function code, data etc increase /decrease, revise and select all kinds of modes
	DOWN	
	SHIFT	Status monitor mode switch, parameter of third stage menu switch
	DIR	Change the running direction of motor
	RUN	Run command
	STOP	Stop command / abnormal reset command





Download the AliExpress app

Jesenik/EN/CZK

Hi, Zdeněk Account

Cart

Preparations before use

Spindle working environment temperature is usually -10 ~ 40 .
 Before installing the first electric spindle axis head turned by hand, should feel flexible, non-blocking phenomenon.

Use correctly



Jesenik/EN/
CZKHi, Zdeněk
Account

poor increase, run 20 minutes each. Spindle and the inverter should be working together. The inverter's specifications and parameter settings need match spindles parameter.

Connect the inverter spindle, three-phase inverter power cord should be soldered in the plug 1 (U), 2 (V), 3 (W) feet, 4 feet for the ground. After the power is turned on, to observe whether the spindle rotation axis indicates the direction consistent. If inconsistency should be immediately shut down, replace the inverter and spindle connected two wires of three-phase power supply.

During normal operation, air-cooled spindle often encounter the phenomenon of heat, always check whether the air-cooled spindle housing and duct clogging dust. If clogging dust, to promptly clean up. If you do not clean up, it is easily to make the spindle burned.

Every day before using the spindle must be running at low speed for 15-20 minutes. Clamping the cutters to spindle, collet nuts, collets, cutters must be clean enough.

Care and maintenance



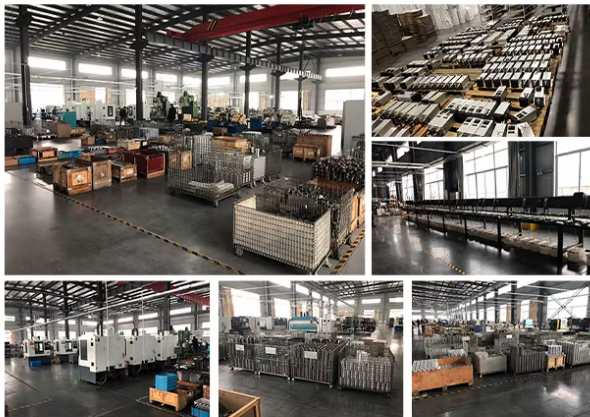
Spindle frequency power supply connected rated voltage, frequency should be consistent with the technical parameters of the electro-spindle, spindle speed can be adjusted to change the frequency, and voltage is proportional to the change.

Spindle being not used, the application of compressed air to blow the pipes static coolant. To prevent rust, clogging water holes. Spindle appearance should be oiled. Plus the shaft protection device, put in a dry place.

To replace the spindle bearings, certain professional and technical personnel should be replaced. Supporting special tools, bearings should be replaced fully cleaned without removing the stator coils.

Before shipping, we did the oil seal to avoid the rust during the long shipment. When you get the spindle, please clearing the oil seal before using. Thank you.

Our factory



Spindle from the production - assembly - test, and finally the perfect packaging .
We will 100% guarantee security to the hands of the guests.

Shipping Cost



Download the AliExpress app

Jesenik/EN/ CZK

Hi, Zdeněk Account

0 Cart

Payment:

We accept paypal credit, bank transfer, western union etc. Payment must be made within 7days calendar days of the auction end time.

Problem and Feedback:

PLEASE DON'T leave any negative feedback before you contact us. We are honest and helpful supplier, we will try our best to solve problems with you. Your satisfaction is very important for our store, so please contact us before you want to leave a negative feedback. Thanks very much in advance.

Refund:

If you are NOT SATISFIED with our package like the products is damage, please do not sign it and contact us immediately. If it is possible, please take some photos or make a small video about it. It will help us to solve the problems.

Note:

We can produce the product according to our customer's design. If you need something is very special, please contact us about it. We are willing to help you about it.

Additional regulatory information

For items delivered from outside the European Union, you may be subject to additional charges for VAT and, when applicable, customs duties in your country. If AliExpress is obliged by law to collect VAT, you will see the VAT inclusive price at checkout. For more information about these costs, please contact the tax and customs authorities in your country.

Sold by G-PENNY MACHINE CNC Factory Store, logistics support by G-PENNY MACHINE CNC Factory Store

Product compliance information >

G-PENNY MACHINE CNC Factory Store Silver 98.1% Positive Feedback | 8425 Followers

+ Follow Message

Recommended from G-PENNY MACHINE CNC Factory Store >

- G-Penny Water Cooled Spindle... CZK5,889.32
G-PENNY 1.5kw ER16 D=65m... CZK2,713.44
XHC 4 Axis / 6 Axis MACH3 U... CZK2,062.36
G-Penny 300W ER8 D48 52V ... CZK4,773.24
Vector Inverter 1.5kw/2.2kw F... CZK2,345.56
Professional Metal working spi... CZK8,082.45

More to love

- Ship from EU SuperDeals Mecpo... CZK3,953.97
BB Single 1 Flute Spiral Cutter... CZK105.26
Choice ESP32 Development Bo... CZK64.1
G-Penny Machine110v / 220v ... CZK1,726.21
Makerbase MKS SERVO42D ... CZK455.78
G-Penny 2.2kw ER20 Water C... CZK5,376.08





Download the AliExpress app

Jesenik/EN/
CZK

Hi, Zdeněk
Account

0
Cart

- | | | | | | |
|--|---|---|---|--|---|
| <p>Choice AHT10 High-precision ...
CZK34.09 CZK84.03 -59%
★★★★☆ 4.9 2,000+ sold
Top selling on AliExpress
Bundle deals ></p> | <p>C20 C16 tool holder DC Collet...
CZK130.6 CZK261.2 -50%
★★★★☆ 5 355 sold
Top selling on AliExpress</p> | <p>Choice HLTNC 2024 V6 Anti-ro...
CZK1,406.57 CZK1,406.57
★★★★☆ 4.9 269 sold
Top selling on AliExpress
Free shipping over CZK220</p> | <p>Makerbase MKS SERVO57C P...
CZK426.62 CZK633.17
★★★★☆ 5 25 sold</p> | <p>Ship from EU SuperDeals EU F...
CZK2,683.47 CZK3,485.02
1 sold</p> | <p>5 50 Pcs Spring Loaded Pogo ...
CZK37.3 CZK37.3
★★★★☆ 5 12 sold</p> |
| <p>Choice KY-040 Rotary Encoder...
CZK64.86 CZK64.86
★★★★☆ 5 195 sold
Free shipping over CZK220</p> | <p>HLTNC Nema24 60 Closed Lo...
CZK642.29 CZK1,189.4
★★★★☆ 4.9 36 sold</p> | <p>Choice CNC latest V5 V6 0.005...
CZK1,311.6 CZK1,311.6
★★★★☆ 5 15 sold
Free shipping over CZK220</p> | <p>Ship from EU SuccesBuy 0.8K...
CZK2,479.77 CZK4,132.88
★★★★☆ 5 7 sold</p> | <p>Ship from EU SuperDeals Succes...
CZK5,340.49
★★★★☆ 4.9 183 sold
CZK514.52 off on CZK4,480.4
Save CZK5,794.13</p> | <p>Ship from EU SuperDeals 2025 S...
CZK2,400.04 CZK4,583.3
★★★★☆ 5 251 sold
CZK150.07 off on CZK1,264.4
Save CZK2,183.26</p> |
| <p>Choice SuperDeals AT1-4000X 22...
CZK2,593.85 CZK5,692.02
★★★★☆ 5 27 sold
Free shipping over CZK220</p> | <p>Choice ER11 8mm collet chuck ...
CZK84.18 CZK84.18
★★★★☆ 4.9 236 sold
Free shipping over CZK220</p> | <p>Brushless Spindle 250W 53Nc...
CZK3,313.29 CZK4,733.36
3 sold</p> | <p>Choice 5pcs 360 Degree Rotary...
CZK106.98 (CZK21.4/pc)
★★★★☆ 4.9 206 sold
Top selling on AliExpress
Bundle deals ></p> | <p>G-PENNY Machine 2.2KW ER...
CZK5,375.23 CZK7,167.04
★★★★☆ 5 22 sold</p> | <p>10pcs/5pcs KY-040 Rotary En...
CZK17.16 CZK27.66 -38%
★★★★☆ 4.6 145 sold</p> |

View more

People also searched

This product belongs to **Home**

Help

Help Center, Disputes & Reports, Return&refund policy, Report IPR infringement, Regulated Information, Integrity Compliance, Transparency Center, Submit report (non-registered users)

AliExpress Multi-Language Sites

Russian, Portuguese, Spanish, French, German, Italian, Dutch, Turkish, Japanese, Korean, Thai, Arabic, Hebrew, Polish

Browse by Category

All Popular, Product, Promotion, Low Price, Great Value, Reviews, Wiki, Blog, Video

Alibaba Group

Alibaba Group Website, AliExpress, Alimama, Alipay, Fliggy, Alibaba Cloud, Alibaba International, AliTelecom, DingTalk, Juhuasuan, Taobao Marketplace, Tmall, Taobao Global, AliOS, 1688

Intellectual Property Protection - Privacy Policy - Sitemap - Terms of Use - Information for EU consumers - **Legal Information / Imprint** - Transaction Services Agreement for non-EU/UK Consumers - Terms and Conditions for EU/EEA/UK Consumers - User Information Legal Enquiry Guide ©2010-2025 AliExpress.com. All rights reserved. 增值电信业务经营许可证 浙B2-20120091-8 浙公网安备 33010802002248号