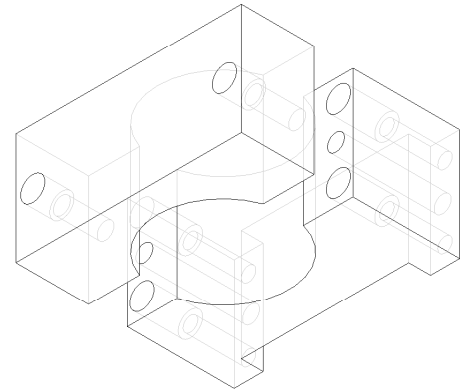


RevNo	Revision note	Date	Signature	Checked
-------	---------------	------	-----------	---------



Itemref	Quantity	Title/Name, designation, material, dimension etc			Article No./Reference	
Drawn by	Checked by	Approved by - date	File name	Date	Scale	
				Edition		Sheet