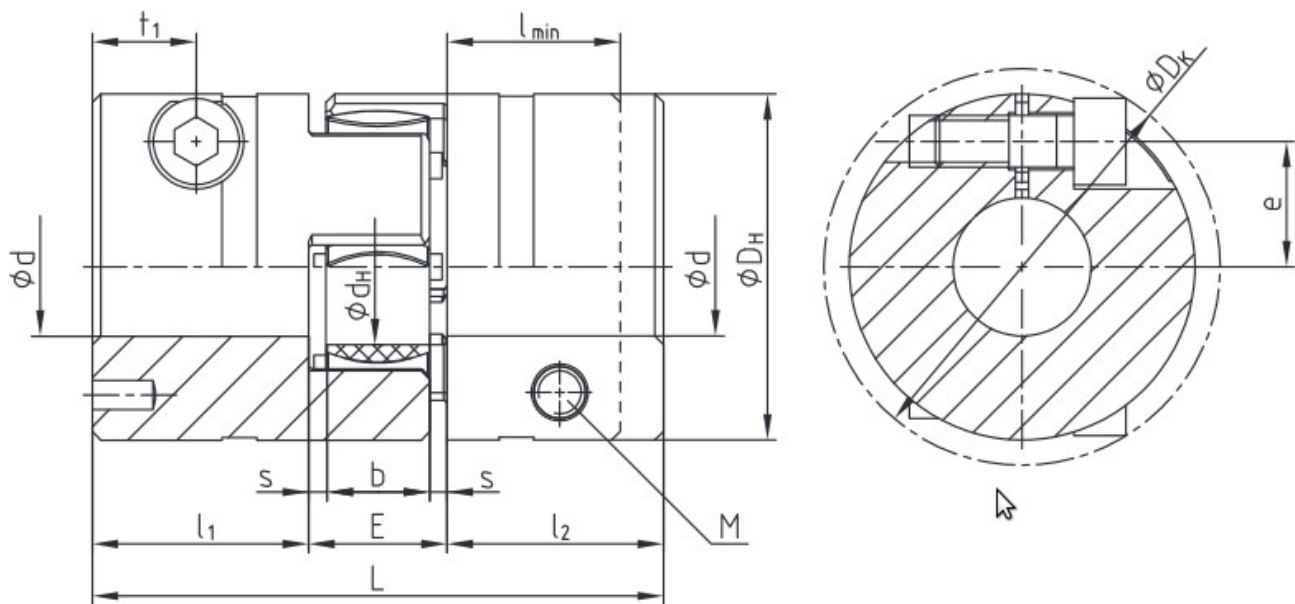


SPOJKA KTR-ROTEX foto,výkres,rozměry



ROTEX® 19 - 28

ROTEX® as clamping hubs																
Size	Dimensions [mm]														Screw DIN EN ISO 4762	
	max. d	L	l ₁ :l ₂	l _{min.}	E	b	s	D _H	D	d _H	D _K	t ₁	t ₂	e	M	T _A [Nm]
19	20 ¹⁾	66	25	20	16	12	2,0	40	-	18	46,0	12	-	14,5	M6	14
24	28	78	30	25	18	14	2,0	55	-	27	57,5	12	-	20,0	M6	14
28	38	90	35	30	20	15	2,5	65	-	30	73,0	14 ²⁾	-	25,0	M8	35