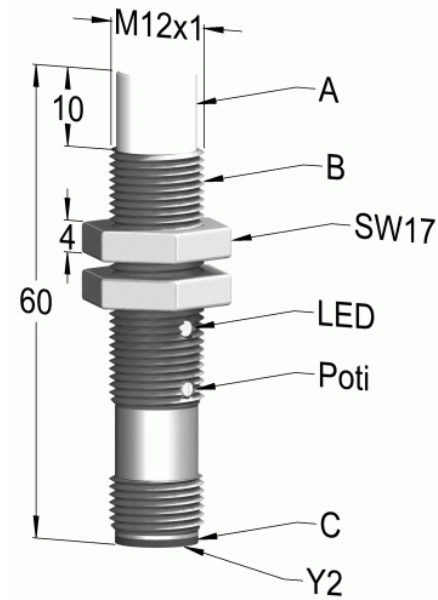


BCS M12T4D2-PSM80G-S04G
 Capacitive Sensors
 Ordercode BCS0062



Electrical data:

No-load supply current damped	10 mA
Supply voltage range UB	12... 35 V
Housing/Thread Size	M12
Rated insulation voltage (Ui)	75 DC V
Switching output	PNP
Connection type	M12
Connection	connector
Rated operational current (Ie)	200 mA
Switching element function	NO
Operating frequency (f)	100 Hz
Voltage drop static max	0,8 V
Utilization category	DC 13

Mechanical data:

Mounting	non flush mountable
Operating temperature range	-30...70 °C
Effective operating distance (Sr)	1...8 mm
Sensing face material	PTFE
Housing material	stainless steel
Repeat accuracy (R)	2% of Sr

General data:

Function indication	yes
Short circuit protected	yes
Degree of protection IP	IP 65
Supply voltage indication	no
Recommended connector	C04 AEL-00-VY-050M
Polarity reversal resistant	yes

Wiring:



Pinout:

