

A

A

B

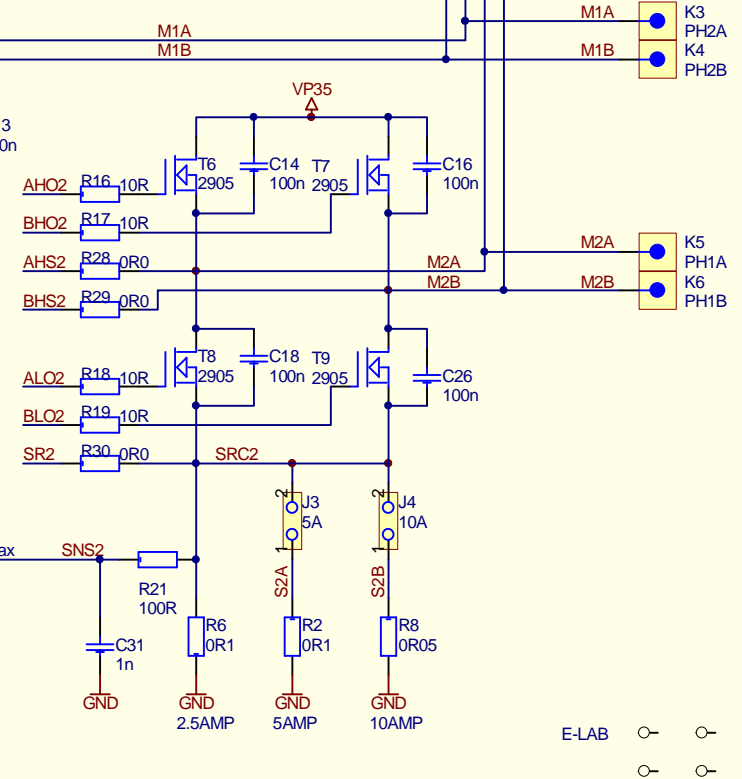
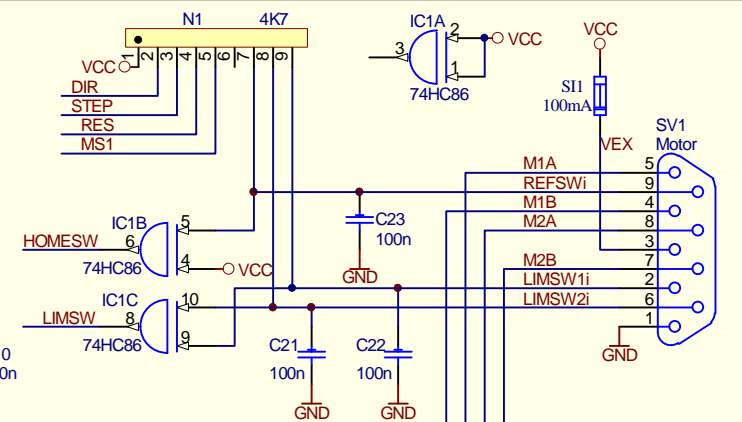
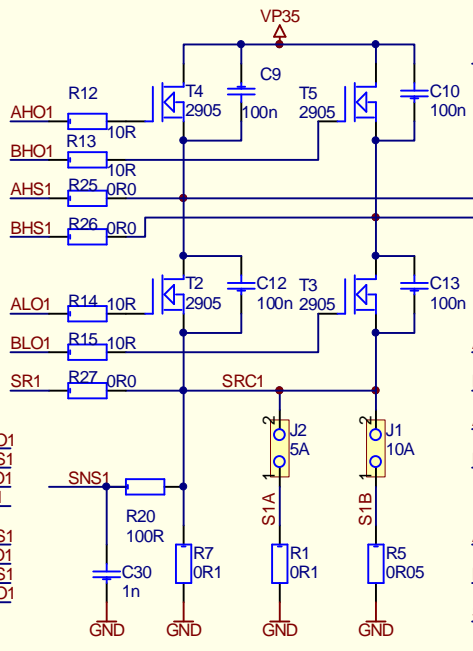
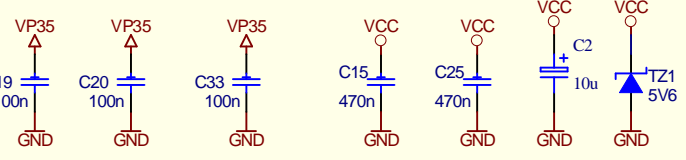
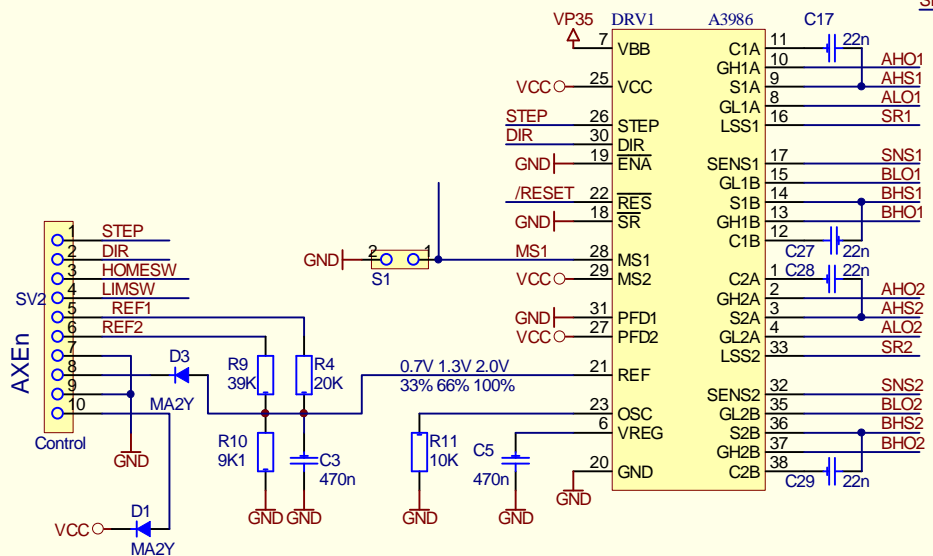
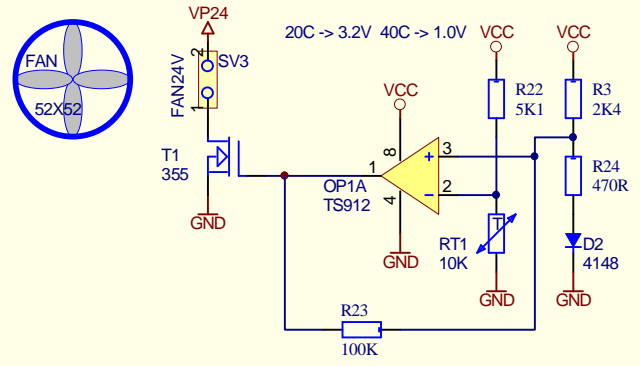
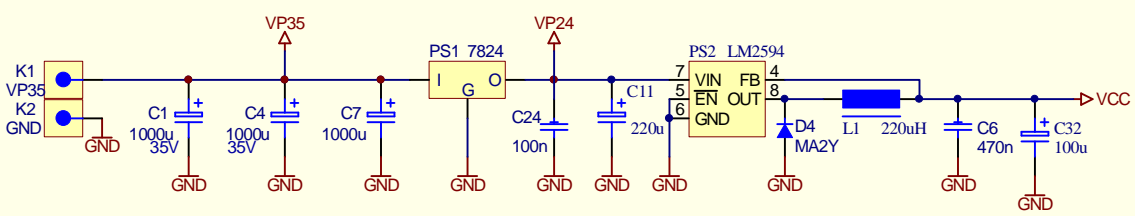
B

C

C

D

D



Mill Axe Driver 5Amp
35V/5A Microstepping

Copyright by E-LAB
REV4

Datum: 23.07.2007
Name: R. Hofmann

| REV4 07/07 | | | |
|------------|-------|------|------|
| Rev# | Datum | Rev. | Obj. |
| | | | |
| | | | |
| | | | |
| | | | |

Blatt 1 von 1