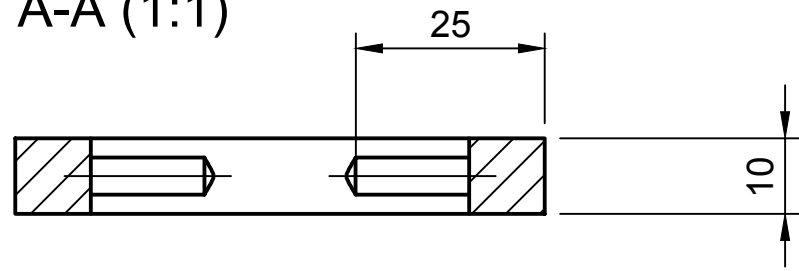
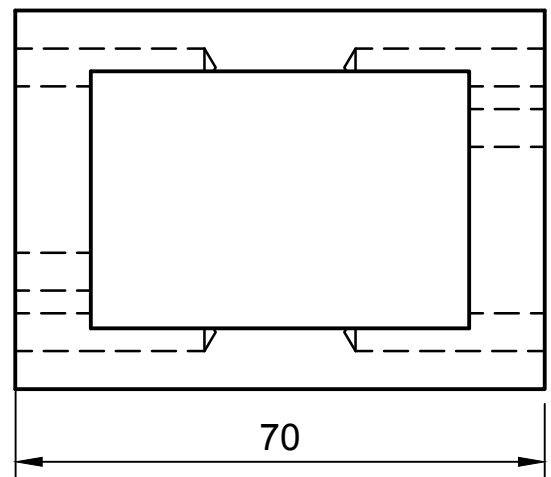


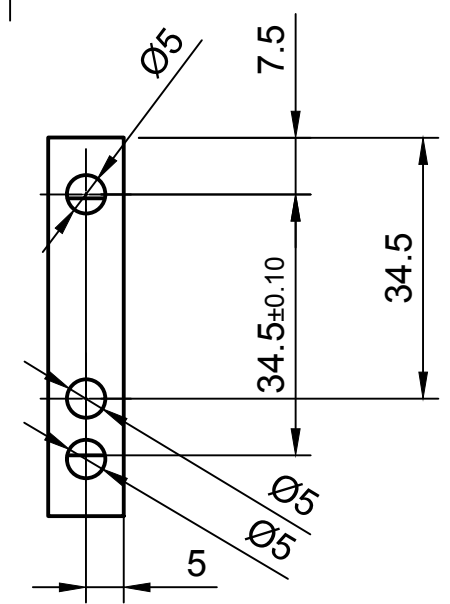
A-A (1:1)



A ↑



↑ A50



Dept.	Technical reference	Created by	Approved by	
Mat: hliník		Document type	Document status	
		Title	DWG No.	
		Rev.	Date of issue	Sheet
		Základ		