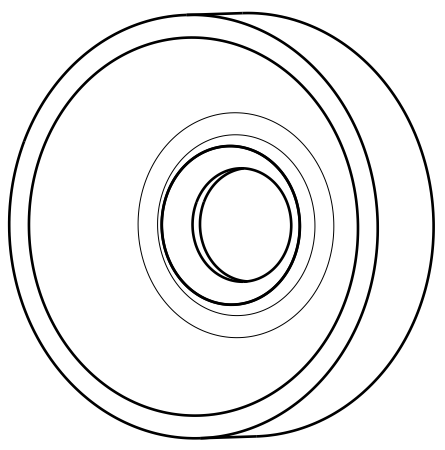


D C B A

4

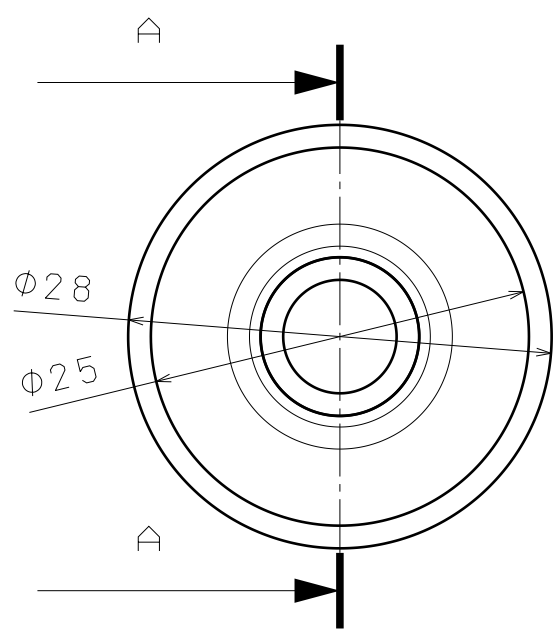
4



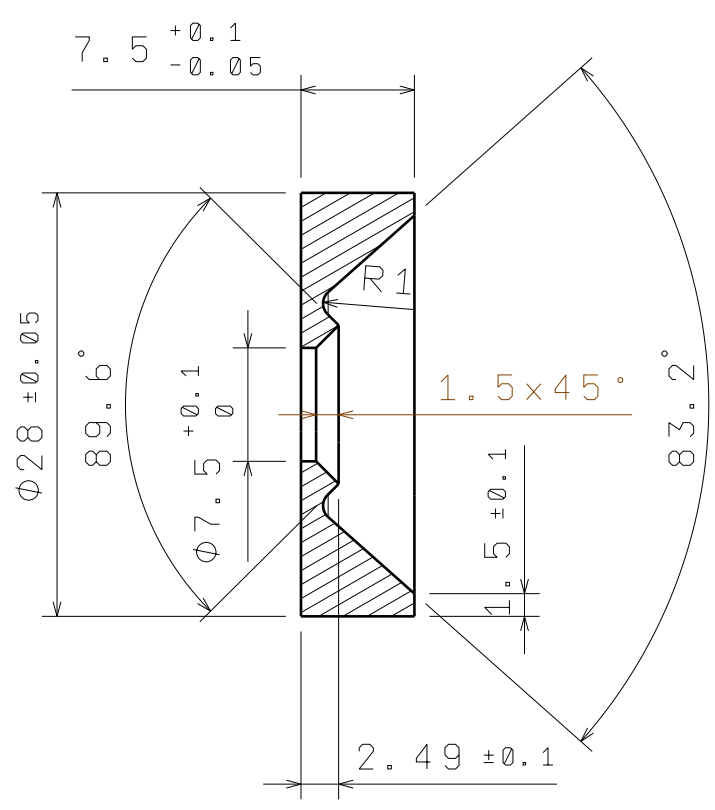
Isometric view

3

3



Front view



Section view A-A

2

2

1

1

DRAWN BY		DATE		DRAWING TITLE			
Matto				Prepažka			
CHECKED BY		DATE		SIZE	DRAWING NUMBER		REV
XXX				A4			
DESIGNED BY		DATE		SCALE	1:1	WEIGHT (kg)	0,00
Matej						SHEET	1/1

D A