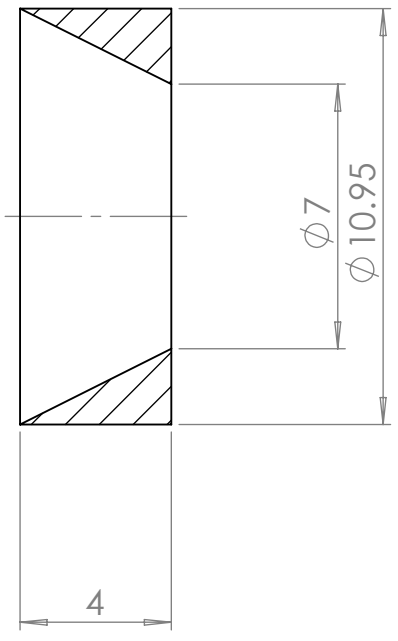
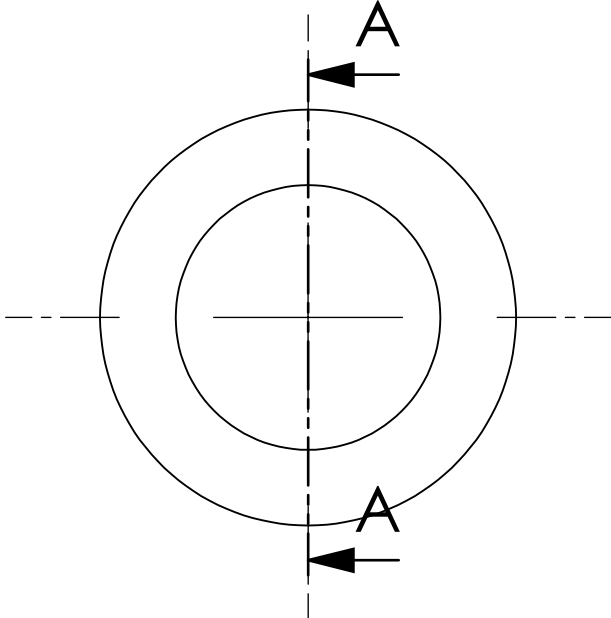


4 3 2 1

F

F



SECTION A-A

E

E

D

D

C

C

B

B

UNLESS OTHERWISE SPECIFIED:  
DIMENSIONS ARE IN MILLIMETERS  
SURFACE FINISH: Ra 3.2  
TOLERANCES: ISO 2768-mK

FINISH:

DEBURR AND  
BREAK SHARP  
EDGES

DO NOT SCALE DRAWING

REVISION

	NAME	SIGNATURE	DATE		
DRAWN					
CHK'D					
APPV'D					
MFG					
Q.A					

TITLE:

MATERIAL: EN AW 6082

DWG NO. Oruzkok

SCALE:5:1

SHEET 1 OF 1

A

A

4 3 2 1