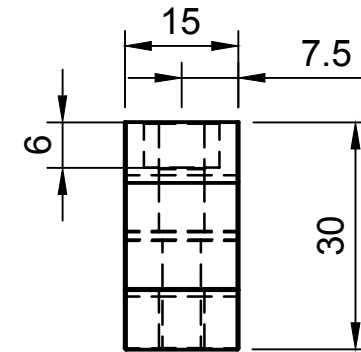
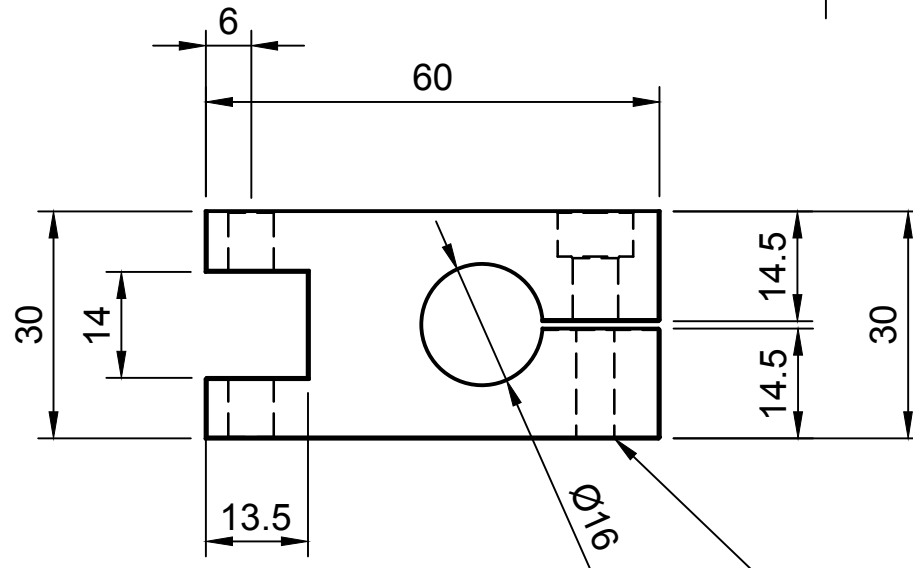
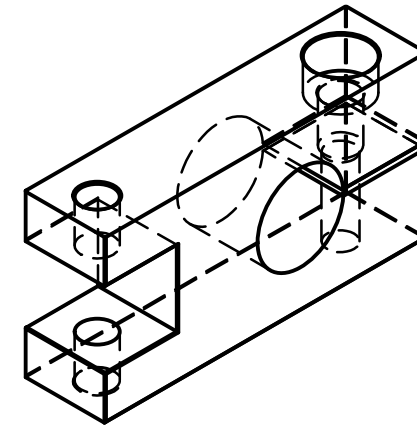
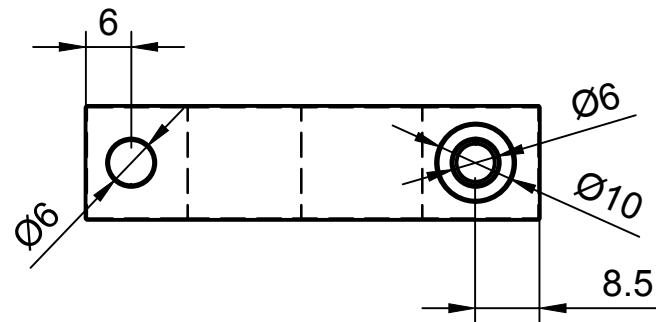


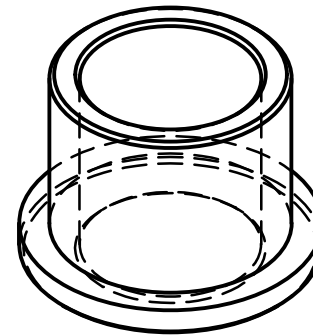
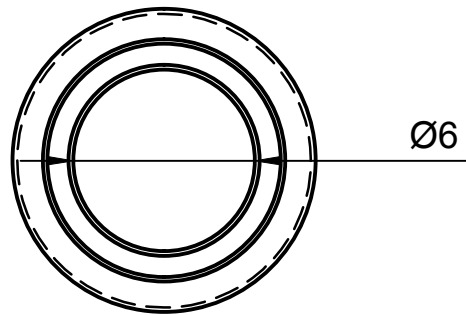
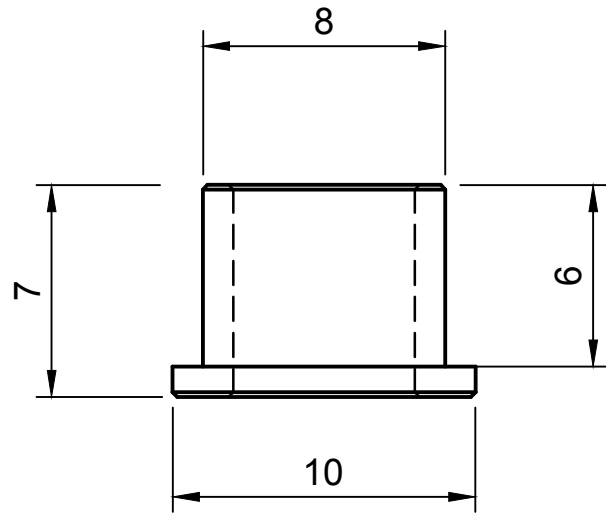
Dept.	Technical reference	Created by Ed Duffner 23/06/2015	Approved by	
		Document type	Document status	
		Title Broach Tool Brass Sleeve	DWG No.	
		Rev.	Date of issue	Sheet 01



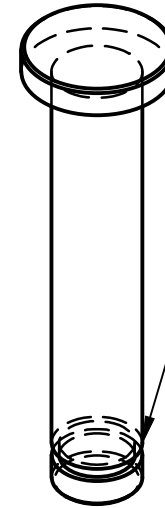
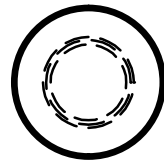
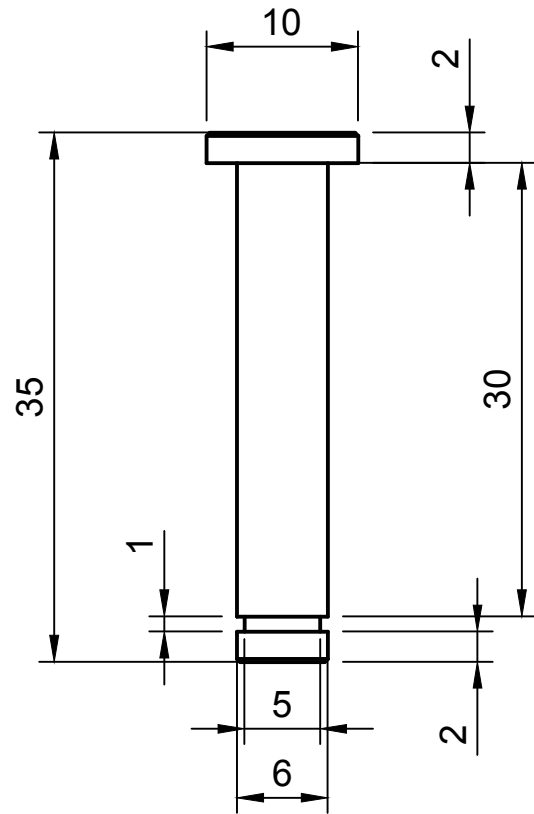
Tap M6x1



Dept.	Technical reference	Created by Ed Duffner 23/06/2015	Approved by	
		Document type	Document status	
		Title Broach Tool Clamp Link	DWG No.	
		Rev.	Date of issue	Sheet 01

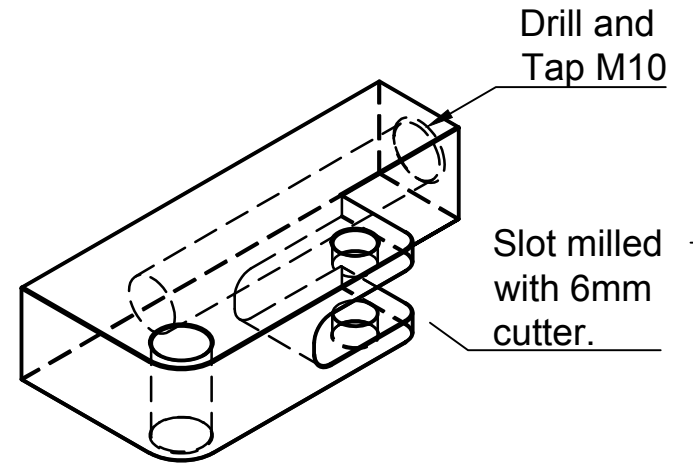
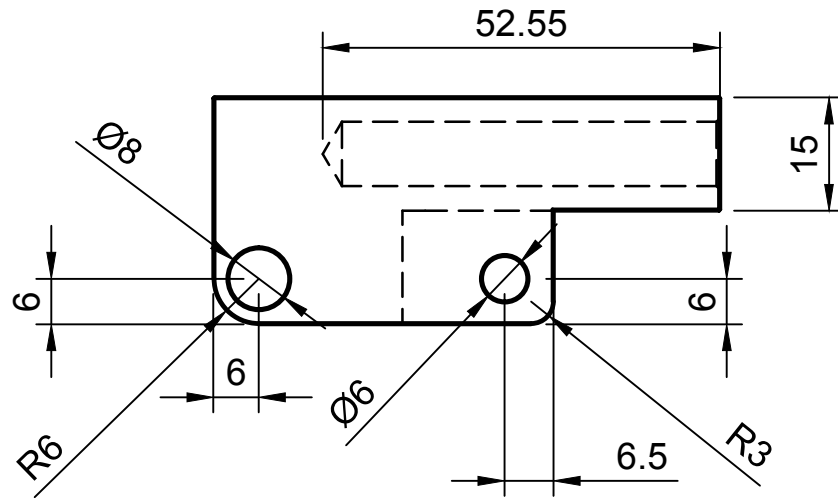
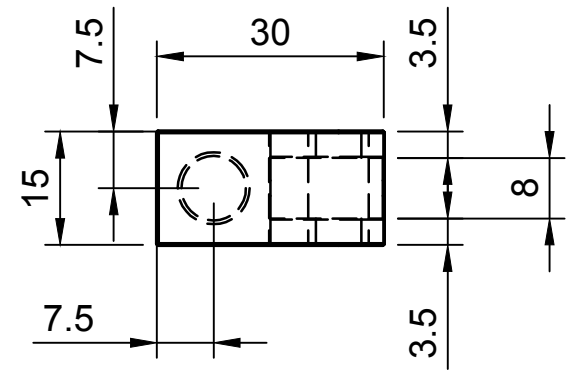
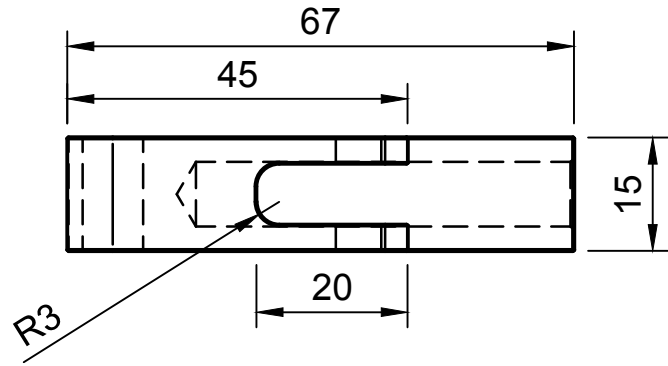


Dept.	Technical reference	Created by Ed Duffner 23/06/2015	Approved by	
		Document type	Document status	
		Title Broach Tool Large Bush		DWG No.
		Rev.	Date of issue	Sheet 01

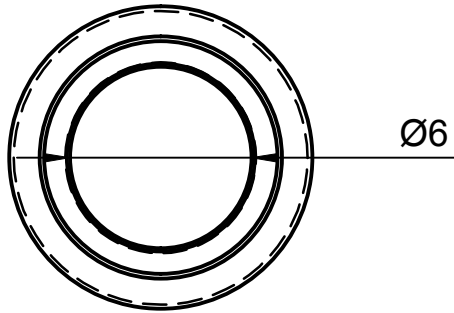
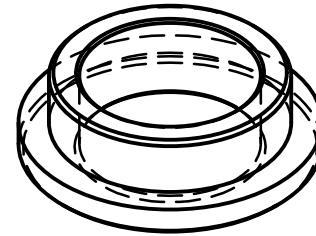
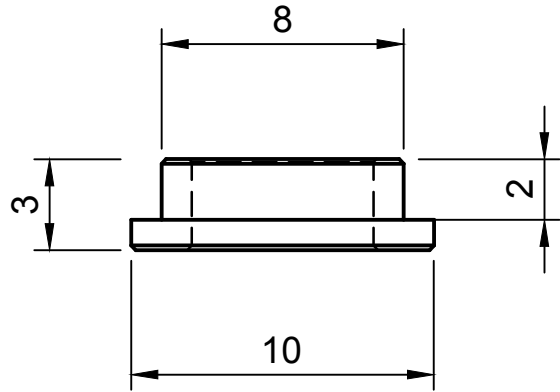


E-clip groove is drawn with 1mm height but should be machined to match available clips.

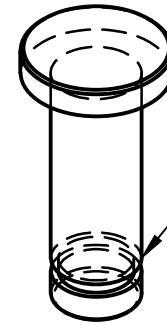
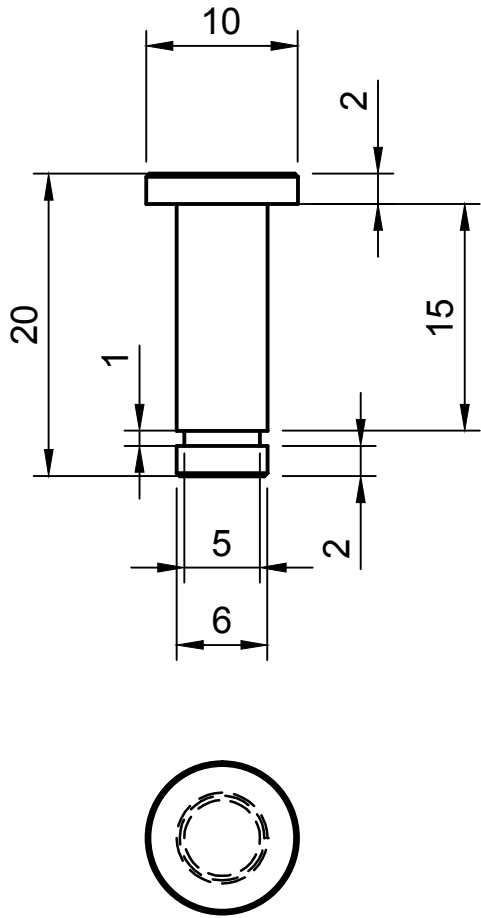
Dept.	Technical reference	Created by Ed Duffner 23/06/2015	Approved by	
		Document type	Document status	
		Title Broach Tool Large Pivot Pin	DWG No.	
		Rev.	Date of issue	Sheet 01



Dept.	Technical reference	Created by Ed Duffner 23/06/2015	Approved by	
		Document type	Document status	
		Title Broach Tool Lever Link	DWG No.	
		Rev.	Date of issue	Sheet 01

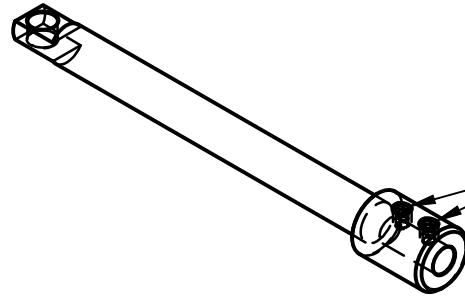
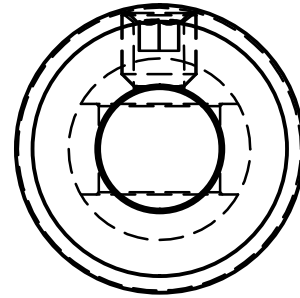
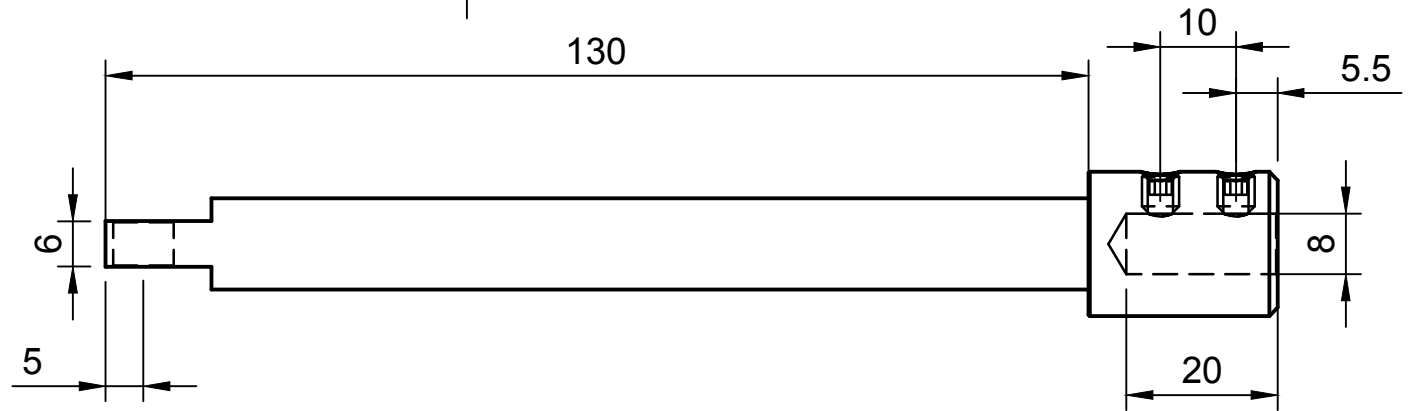
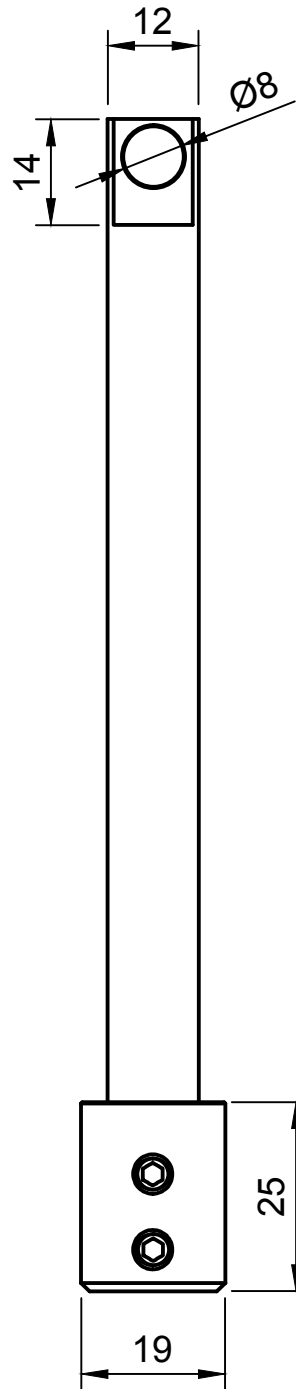


Dept.	Technical reference	Created by Ed Duffner 23/06/2015	Approved by	
		Document type	Document status	
		Title Broach Tool Small Bush		DWG No.
		Rev.	Date of issue	Sheet 01



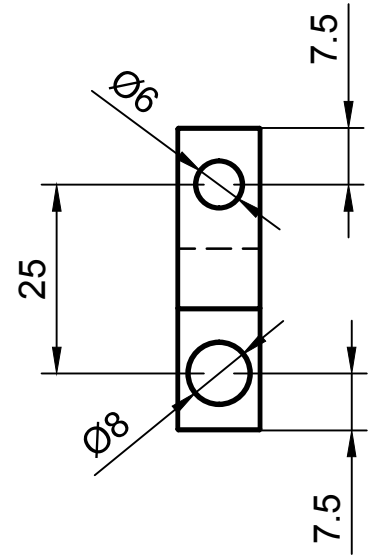
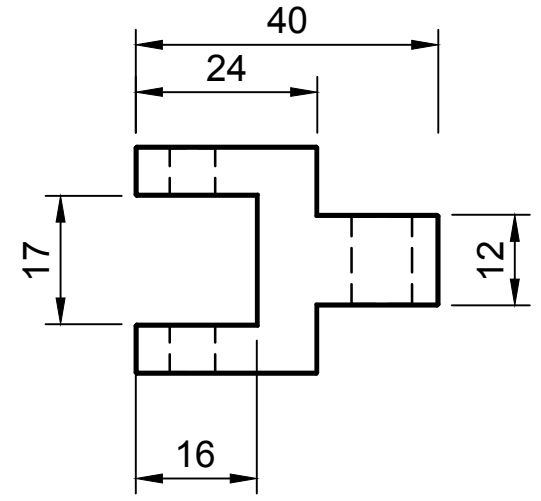
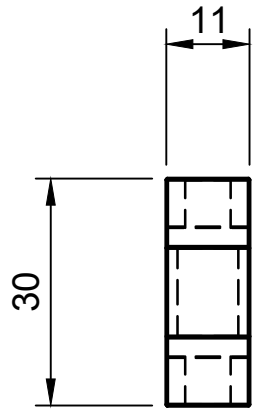
E-clip groove is drawn with 1mm height but should be machined to match available clips.

Dept.	Technical reference	Created by Ed Duffner 23/06/2015	Approved by	
		Document type	Document status	
		Title Broach Tool Small Pivot Pin	DWG No.	
		Rev.	Date of issue	Sheet 01



Drill and tap for M5x5mm grub screws.

Dept.	Technical reference	Created by Ed Duffner 23/06/2015	Approved by	
		Document type	Document status	
		Title Broach Tool Tool Shaft	DWG No.	
		Rev.	Date of issue	Sheet 01



Dept. Q	Technical reference	Created by Ed Duffner 23/06/2015	Approved by	
		Document type	Document status	
		Title Broach Tool Y Link	DWG No.	
		Rev.	Date of issue	Sheet 01