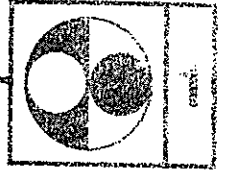
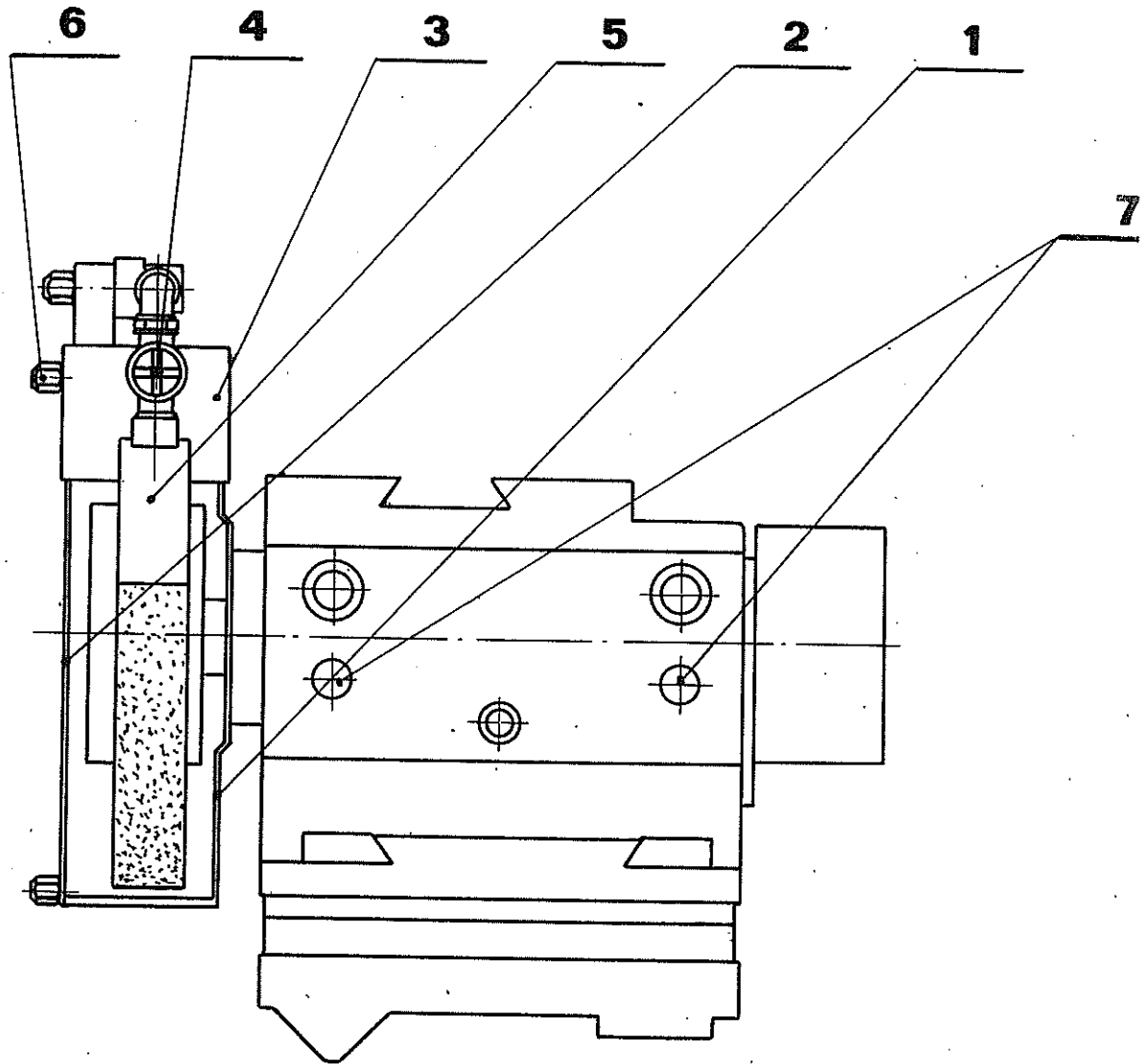


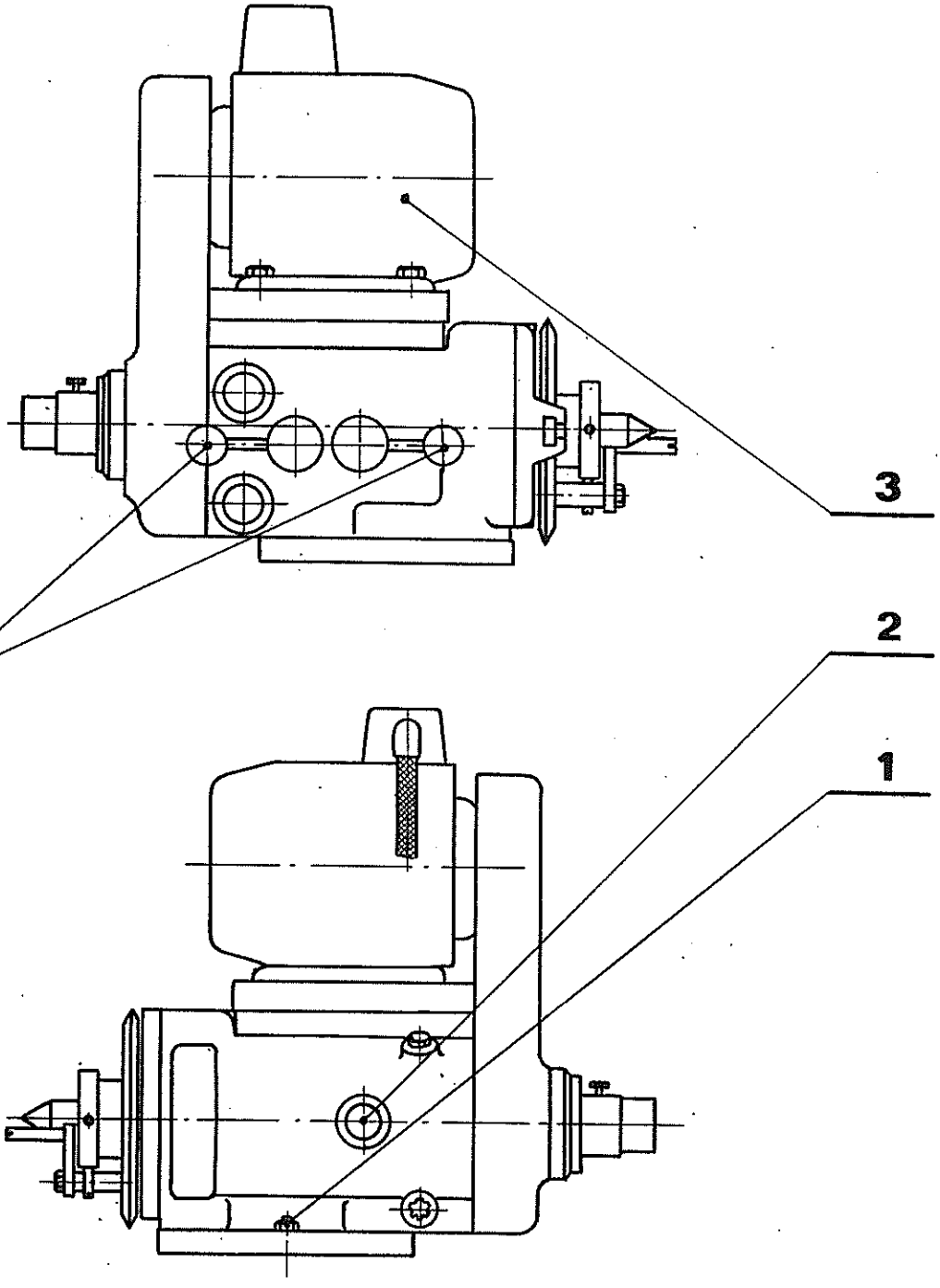
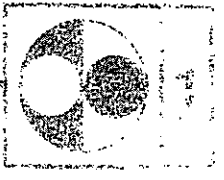


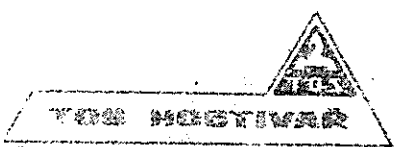
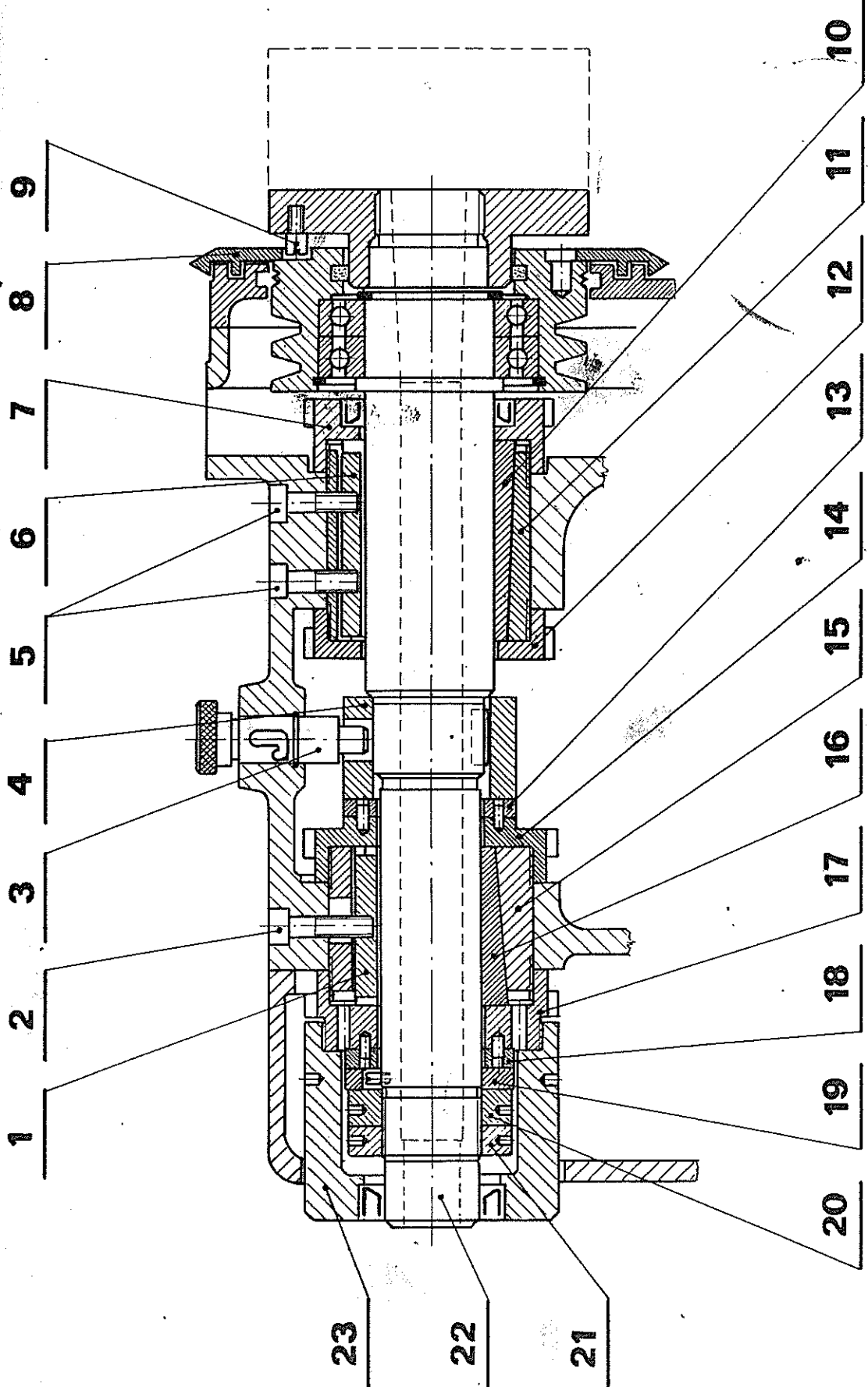
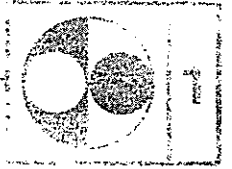
2Ud - P2

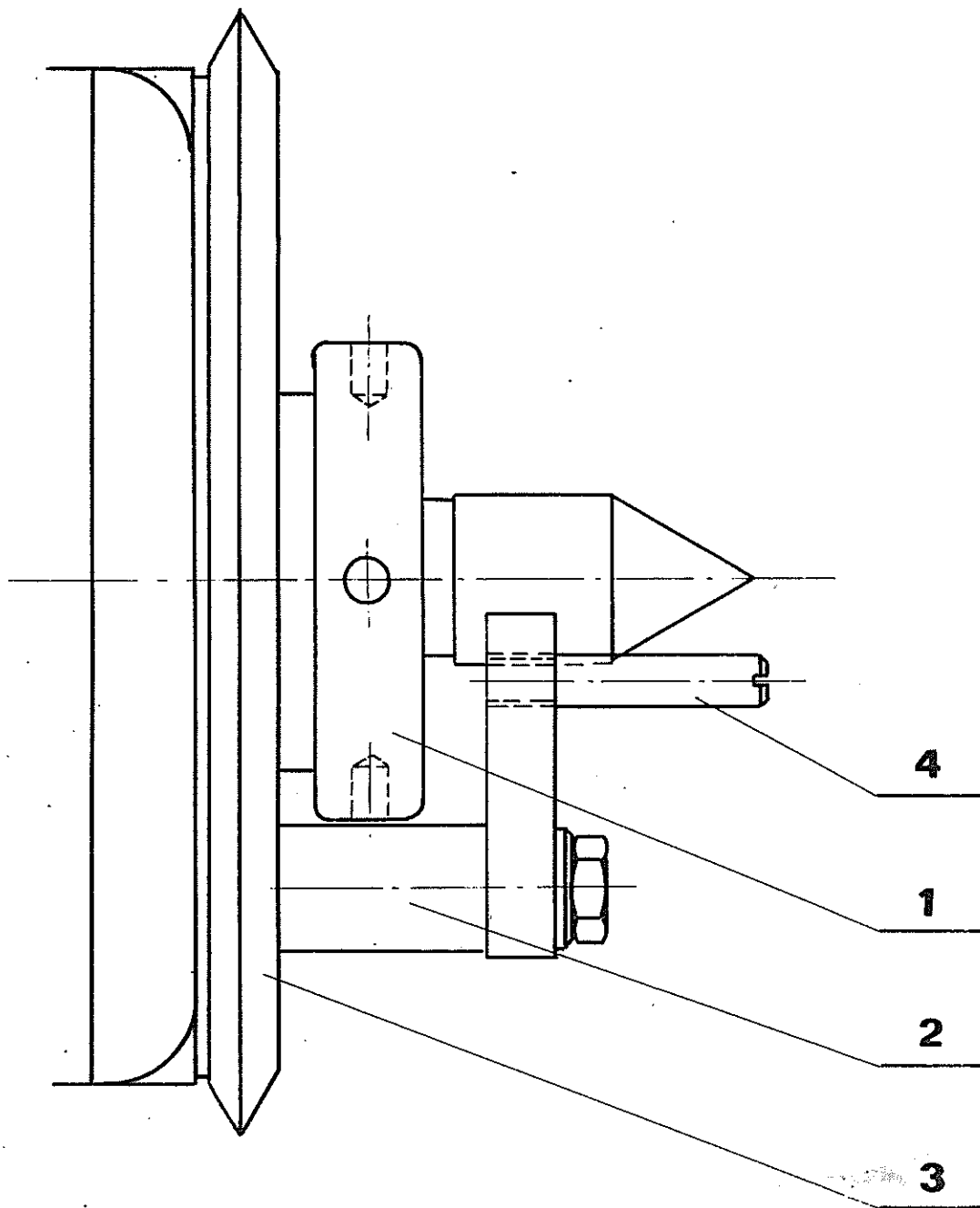
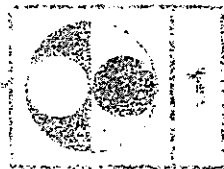


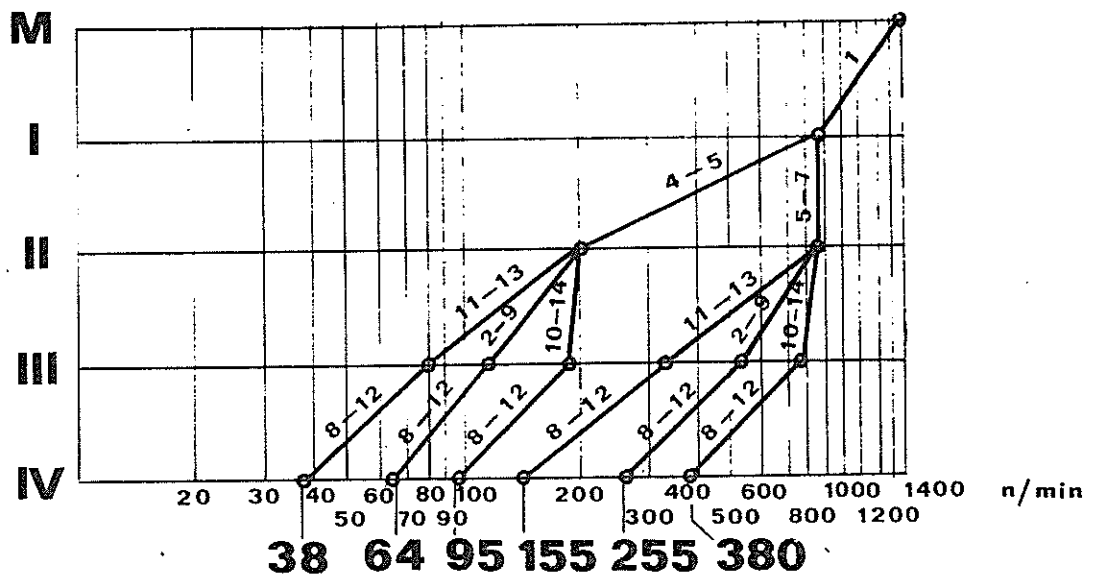
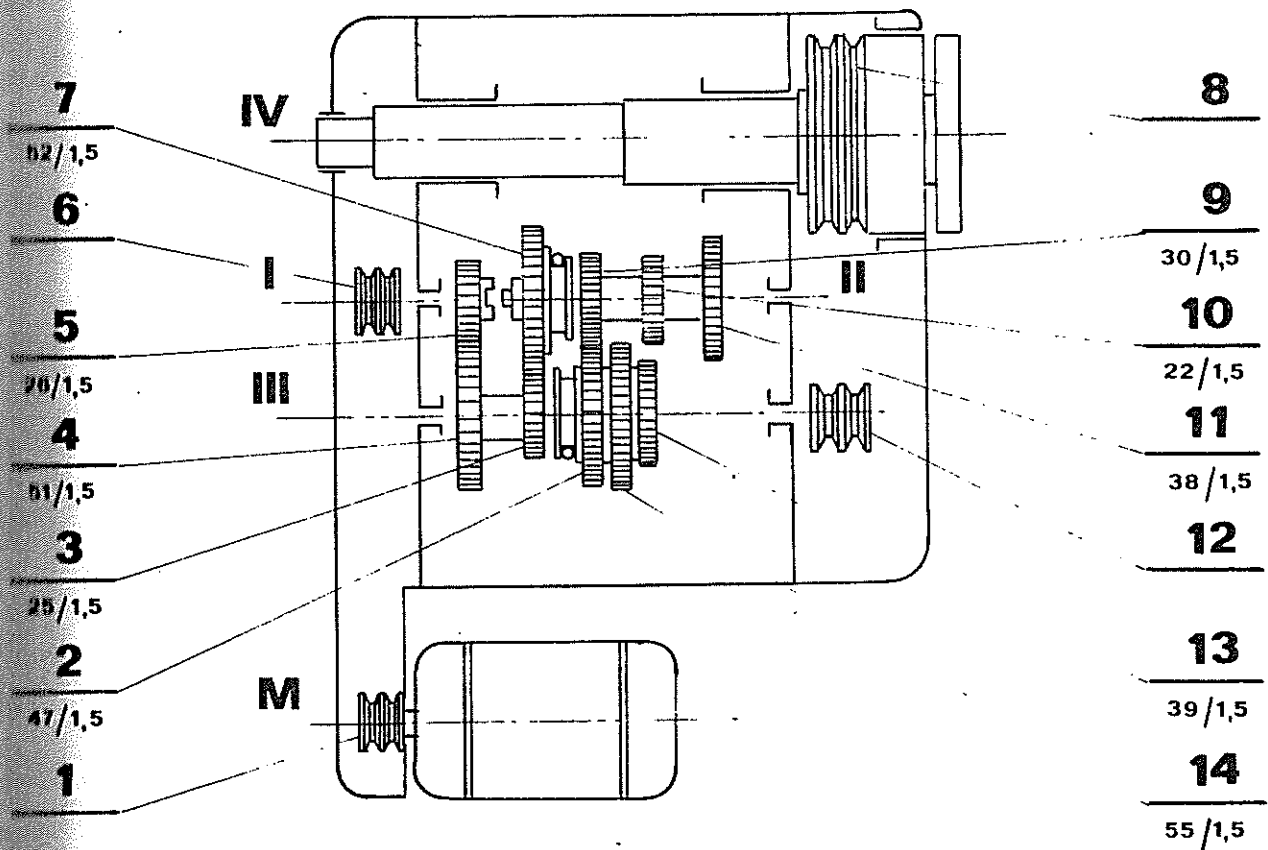
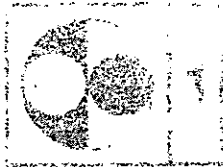
2

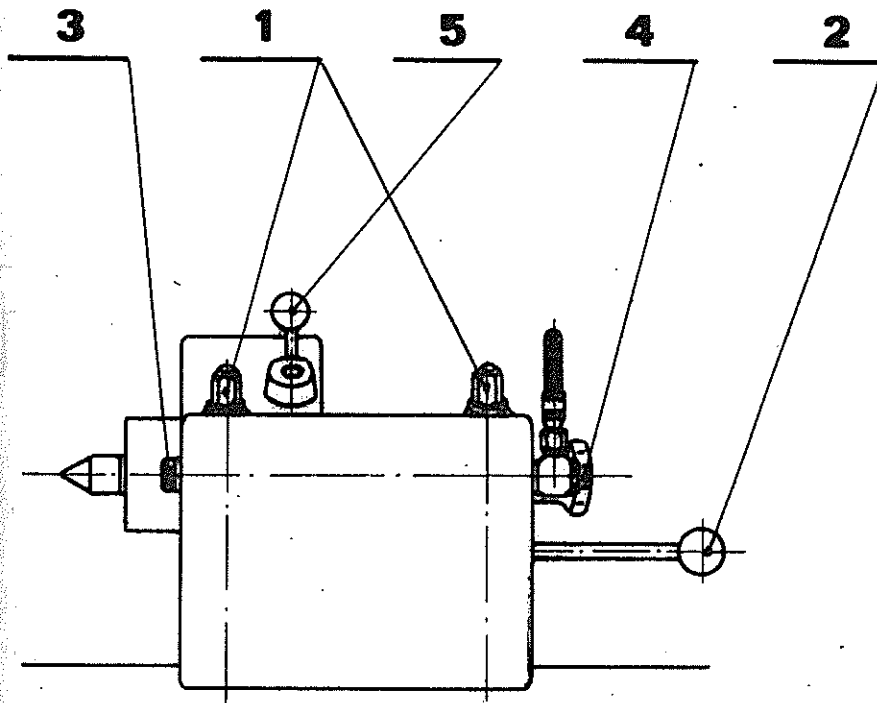


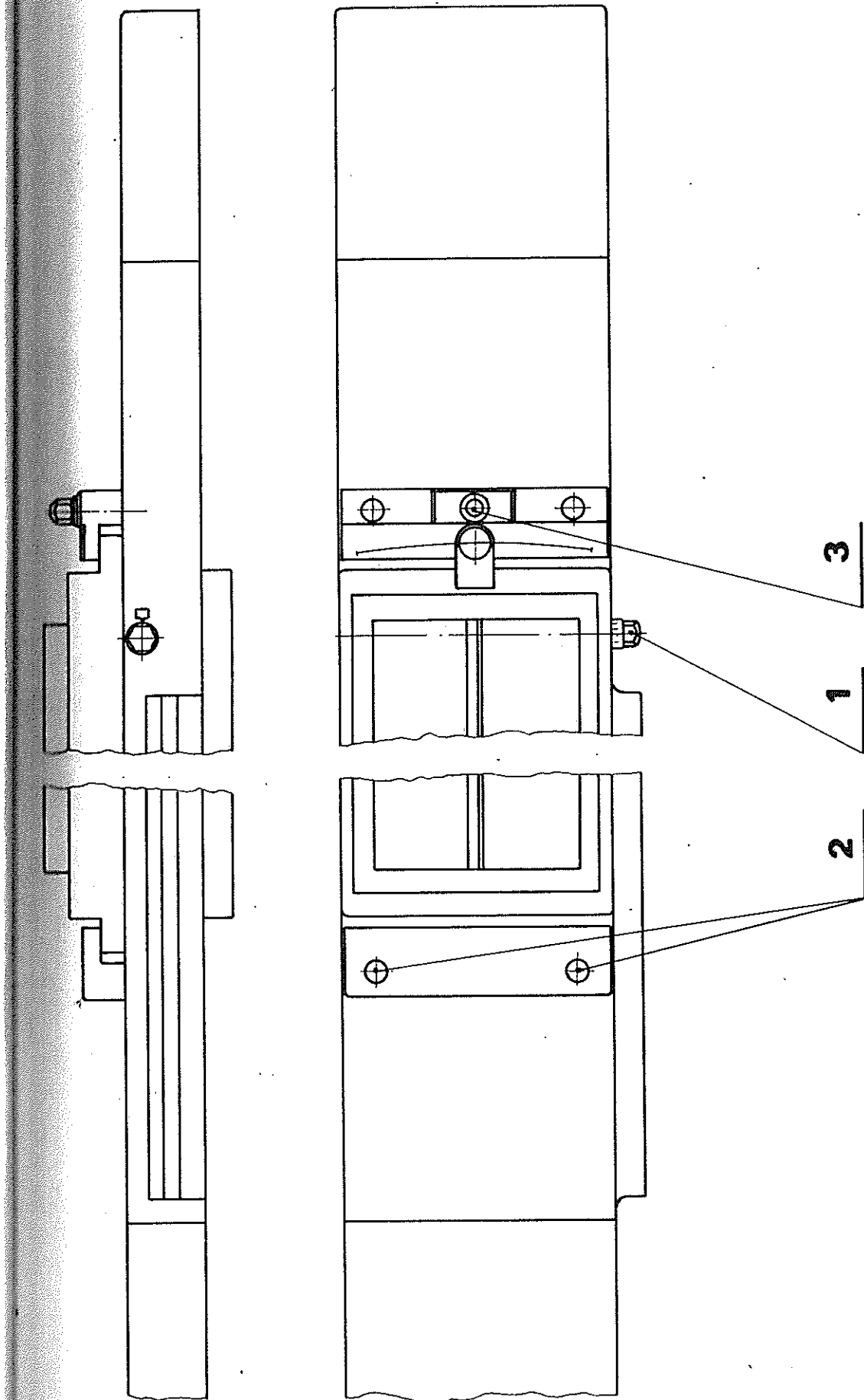
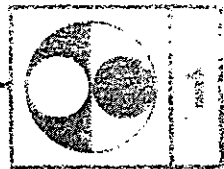


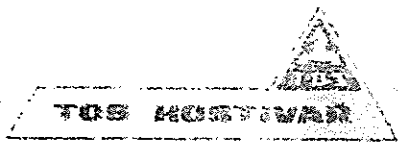
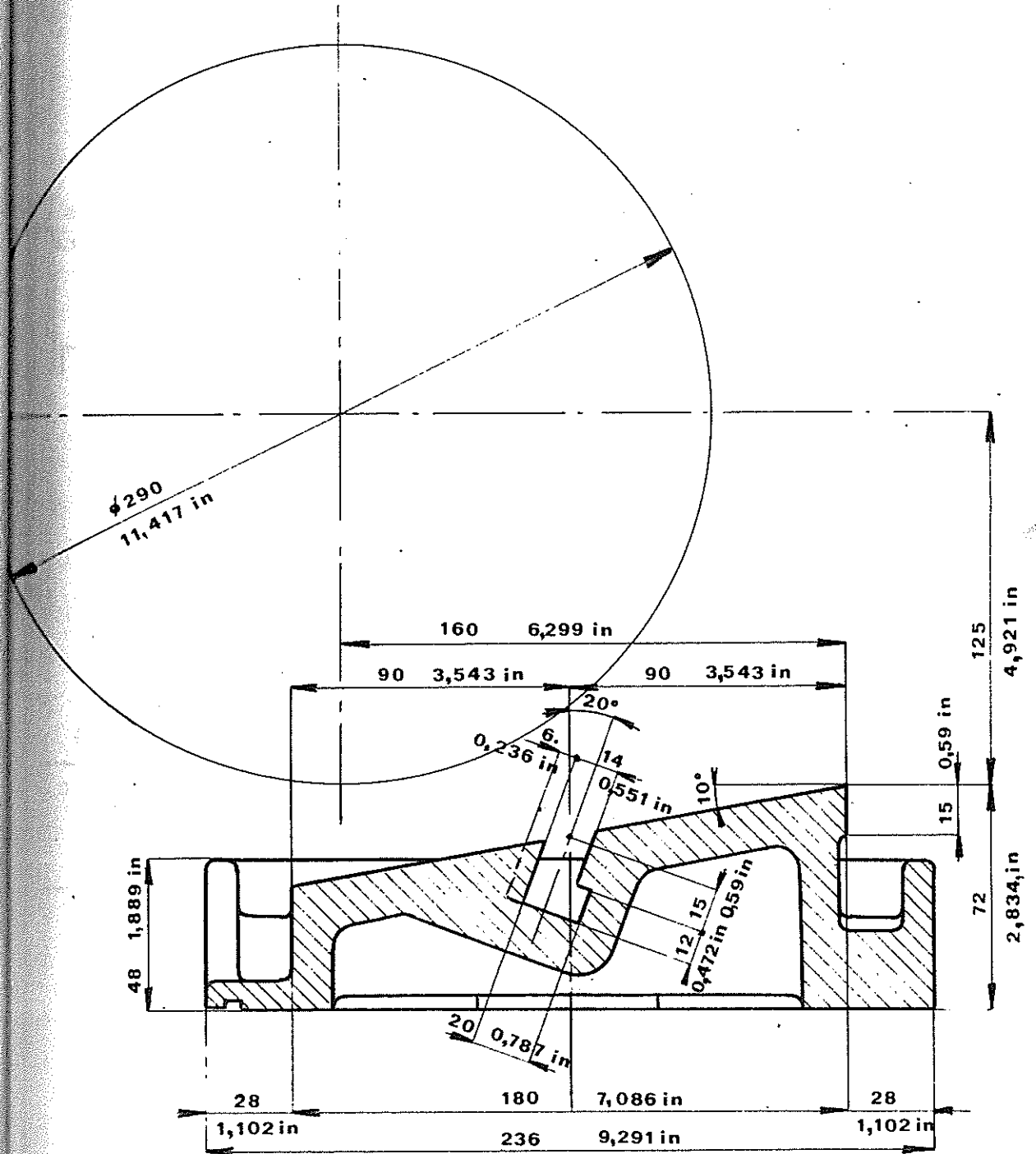


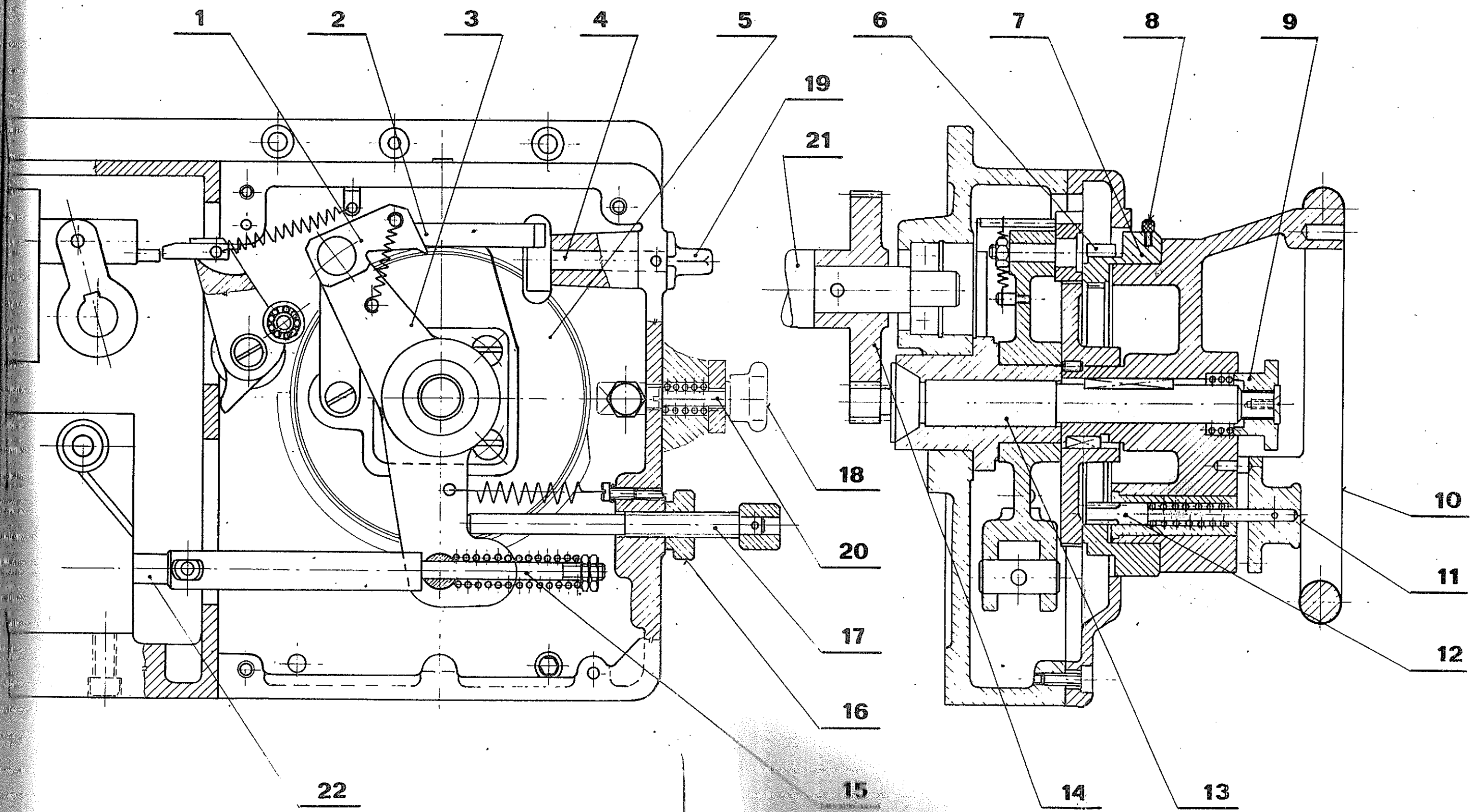
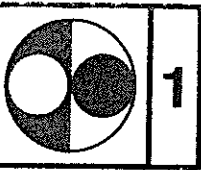


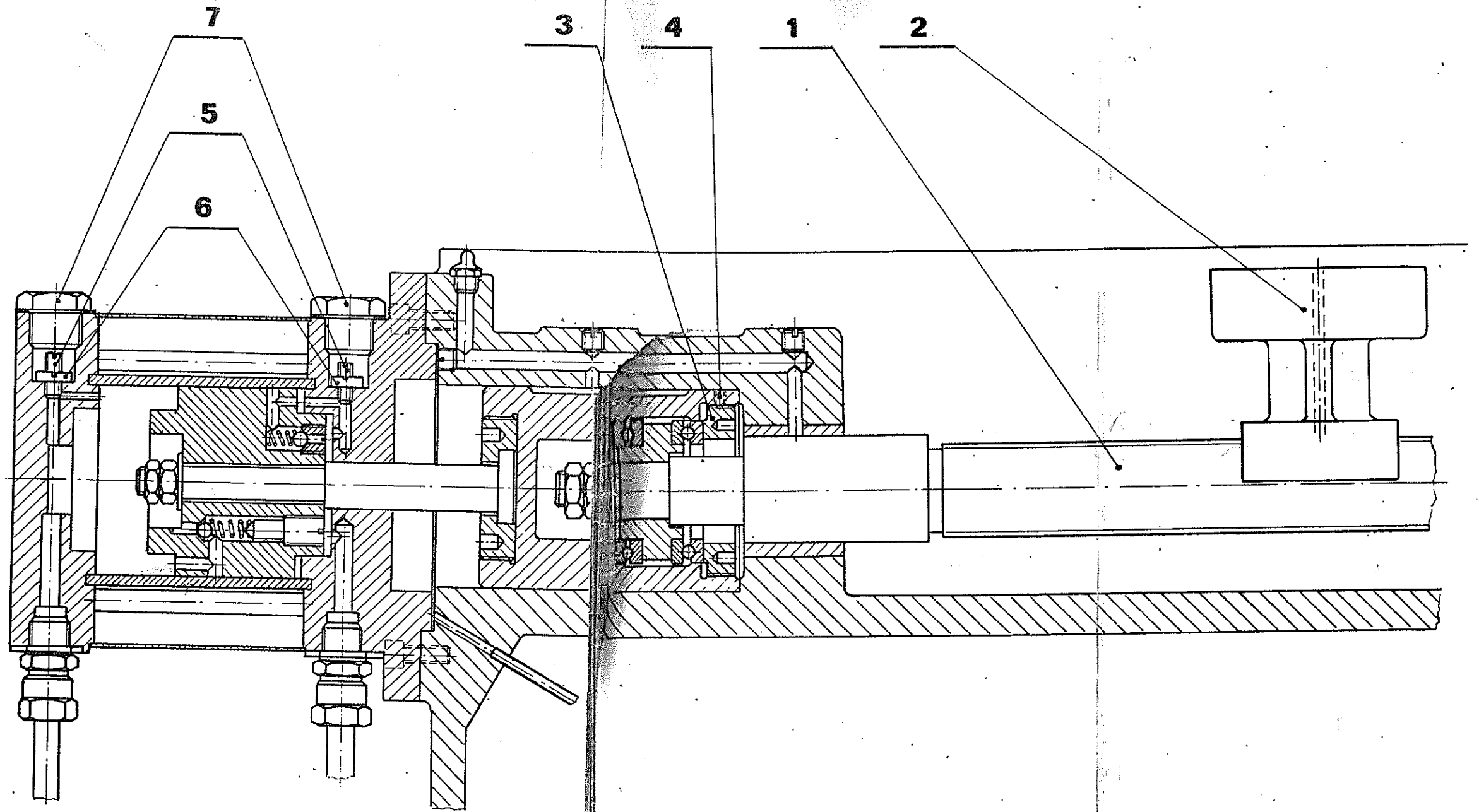


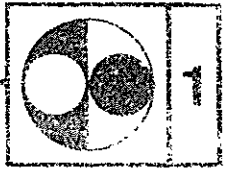




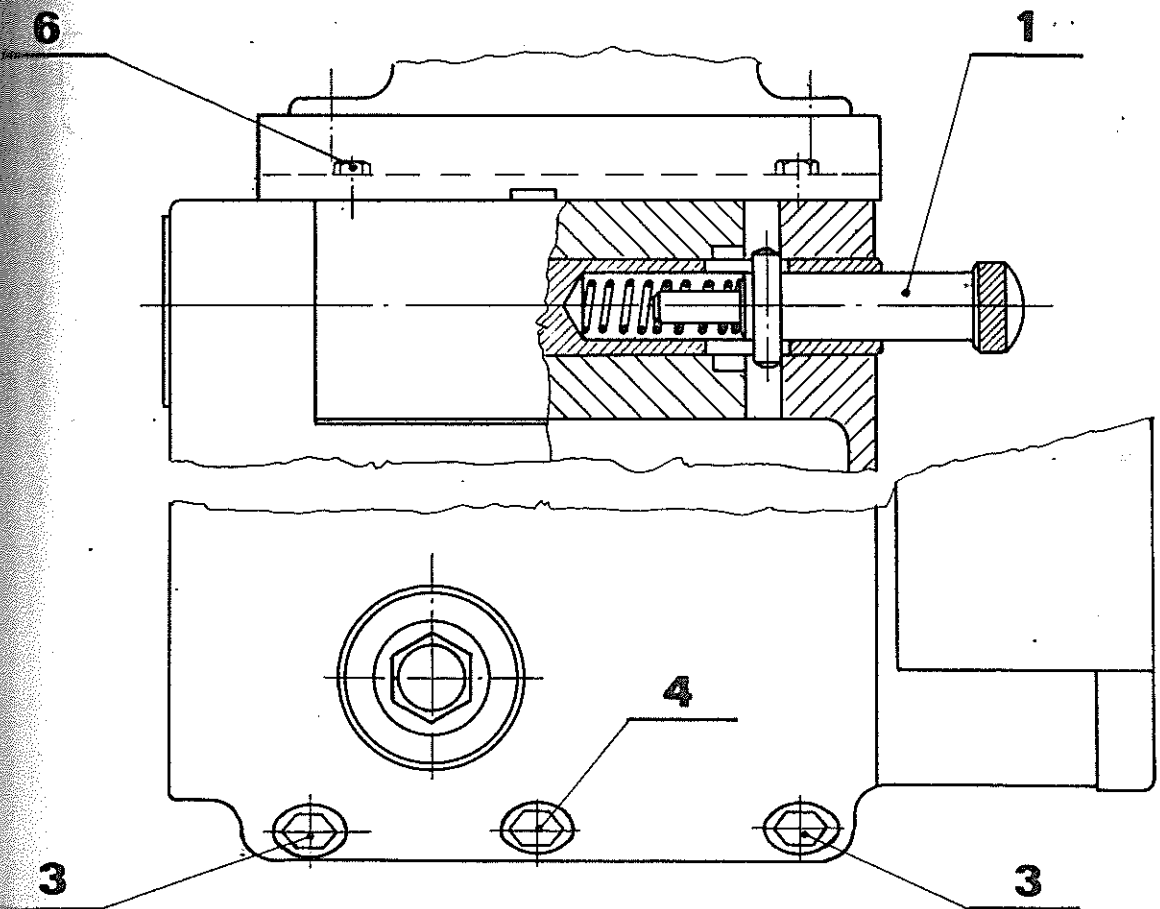
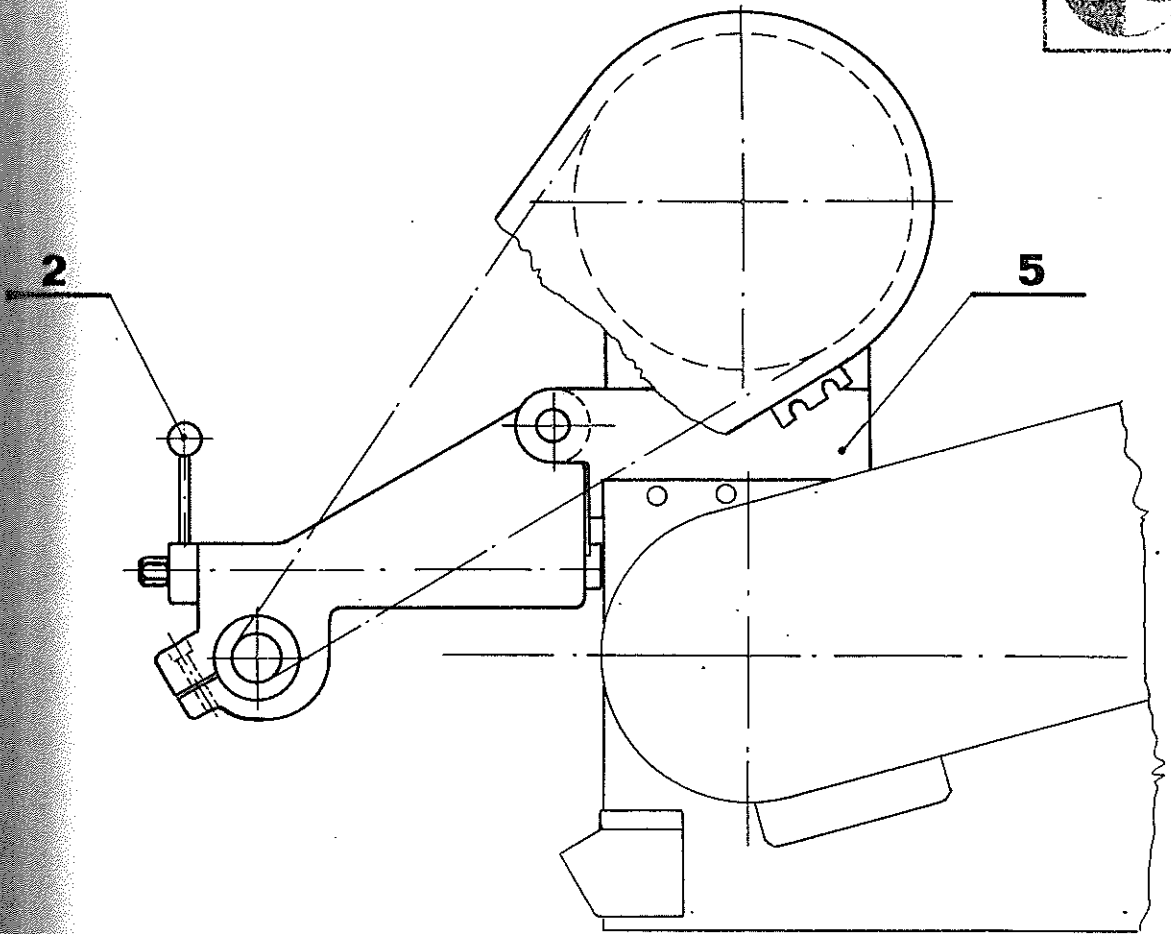


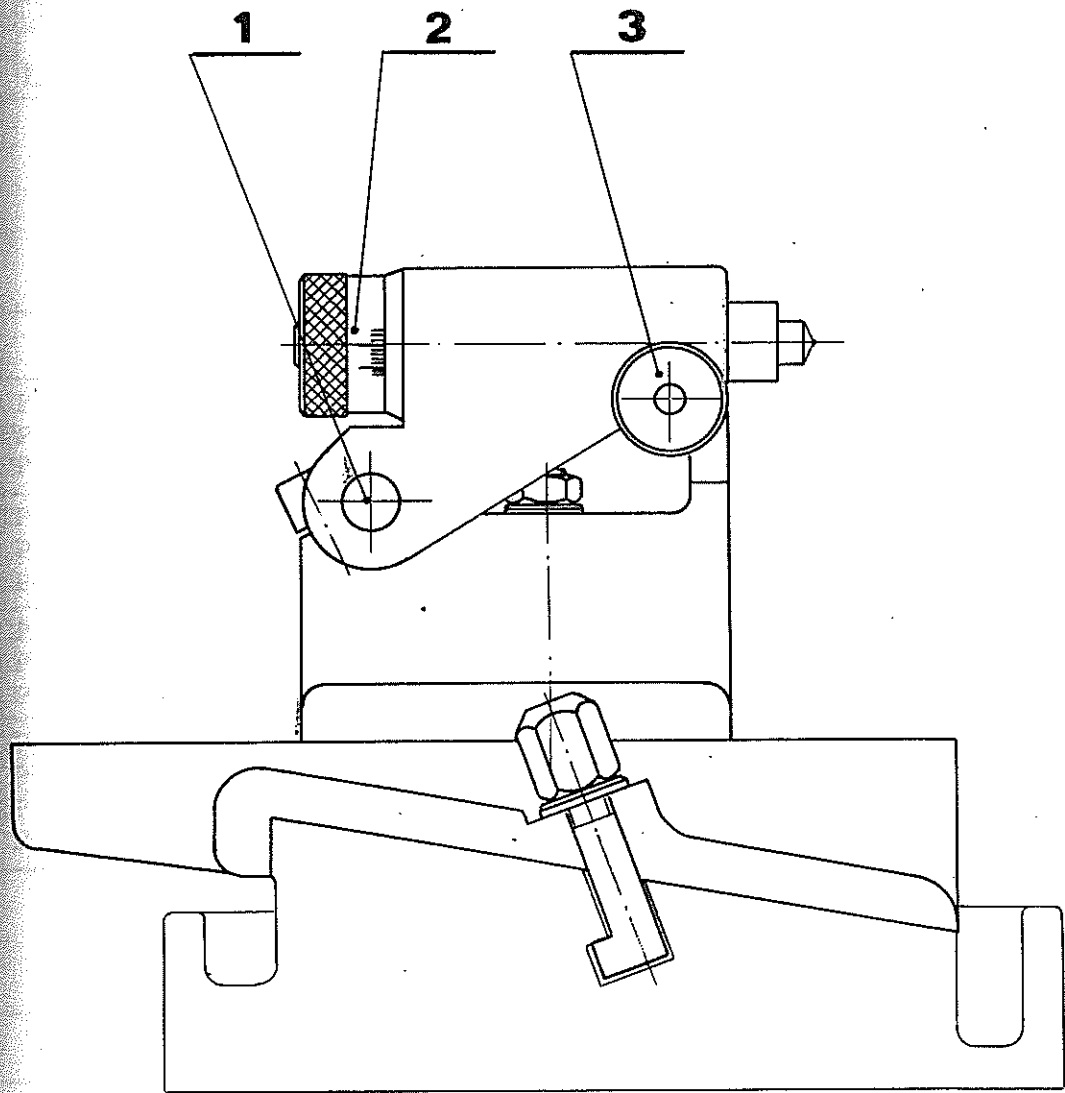
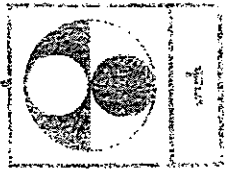


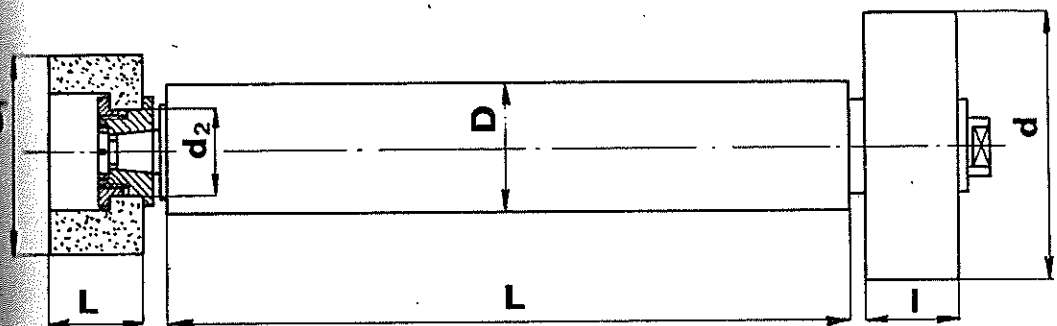
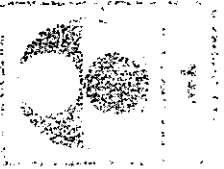




13







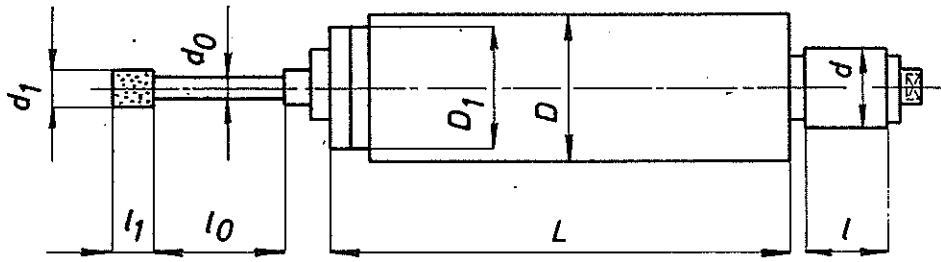
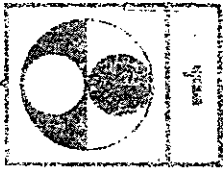
mm

| | D | L | d ₁ | d ₂ | L ₁ | d | l | 1/min |
|-----------|----|-----|----------------|----------------|----------------|-----|----|-------|
| CP 40x225 | 40 | 225 | 63 | 20 | 40 | 75 | 40 | 9600 |
| CP 40x360 | | 360 | | | | | | |
| CP 40x500 | | 500 | | | | | | |
| CP 50x225 | 50 | 225 | 75 | 32 | 50 | 95 | 40 | 7600 |
| CP 50x400 | | 400 | | | | | | |
| CP 50x560 | | 560 | | | | | | |
| CP 60x225 | 60 | 225 | 100 | 32 | 50 | 125 | 40 | 5750 |
| CP 60x450 | | 450 | | | | | | |
| CP 60x630 | | 630 | | | | | | |
| CP 70x225 | 70 | 225 | 100 | 32 | 50 | 125 | 50 | 5750 |
| CP 70x360 | | 360 | | | | | | |
| CP 70x500 | | 500 | | | | | | |
| CP 70x710 | | 710 | | | | | | |

inch

| | D | L | d ₁ | d ₂ | L ₁ | d | l | 1/min |
|-----------|-------|--------|----------------|----------------|----------------|-------|-------|-------|
| CP 40x225 | 1,575 | 8,858 | 2,480 | 0,787 | 1,575 | 2,952 | 1,575 | 9600 |
| CP 40x360 | | 14,173 | | | | | | |
| CP 40x500 | | 19,685 | | | | | | |
| CP 50x225 | 1,969 | 8,858 | 2,952 | 1,260 | 1,969 | 3,740 | 1,575 | 7600 |
| CP 50x400 | | 15,748 | | | | | | |
| CP 50x560 | | 22,047 | | | | | | |
| CP 60x225 | 2,362 | 8,858 | 3,937 | 1,260 | 1,969 | 4,921 | 1,575 | 5750 |
| CP 60x450 | | 17,716 | | | | | | |
| CP 60x630 | | 24,803 | | | | | | |
| CP 70x225 | 2,756 | 8,858 | 3,937 | 1,260 | 1,969 | 4,921 | 1,968 | 5750 |
| CP 70x360 | | 14,173 | | | | | | |
| CP 70x500 | | 19,685 | | | | | | |
| CP 70x710 | | 27,953 | | | | | | |



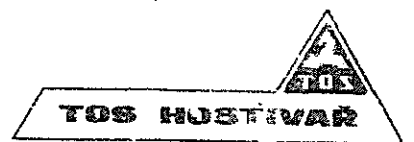
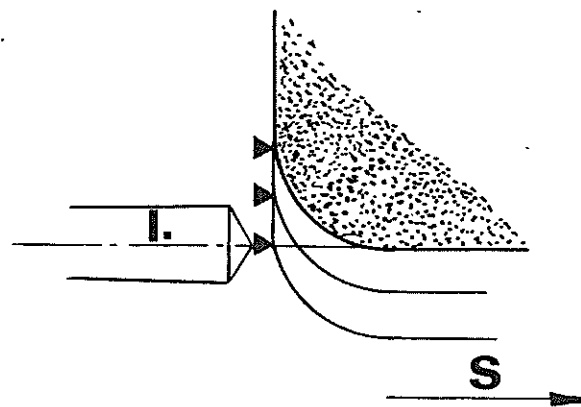
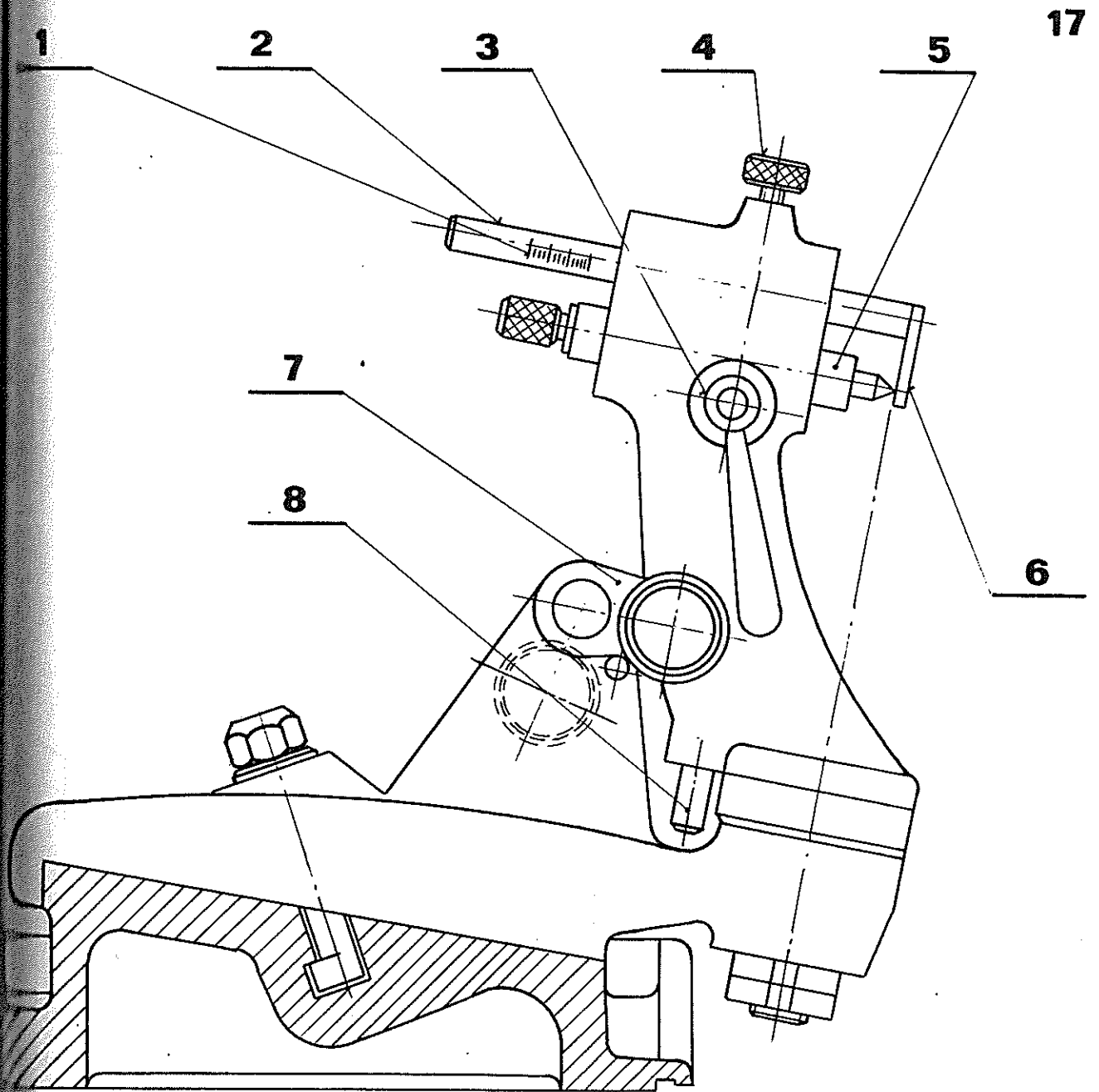
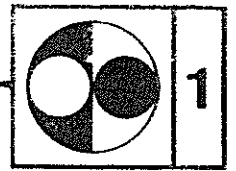


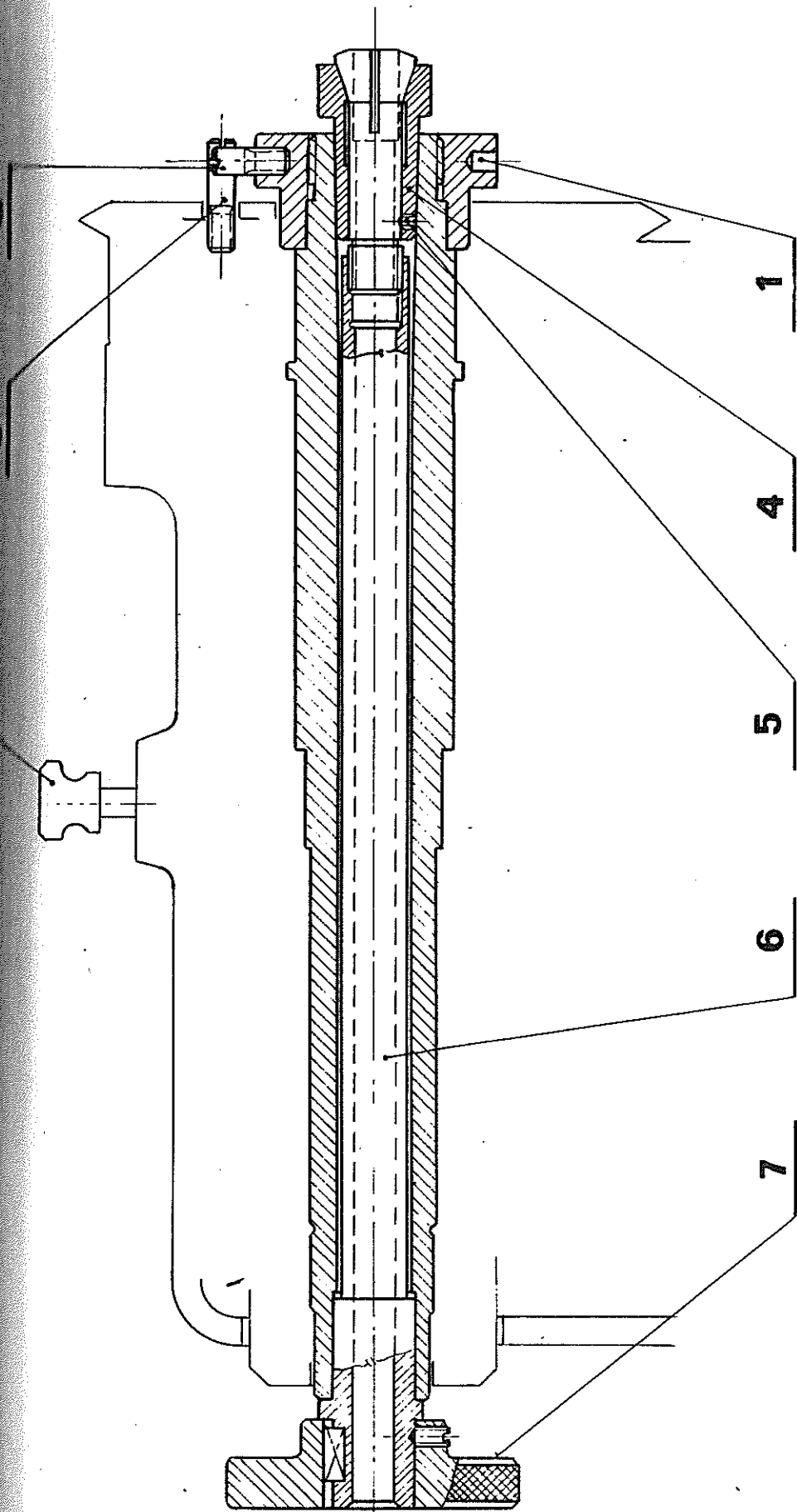
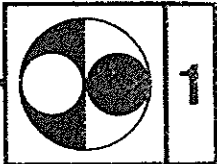
mm

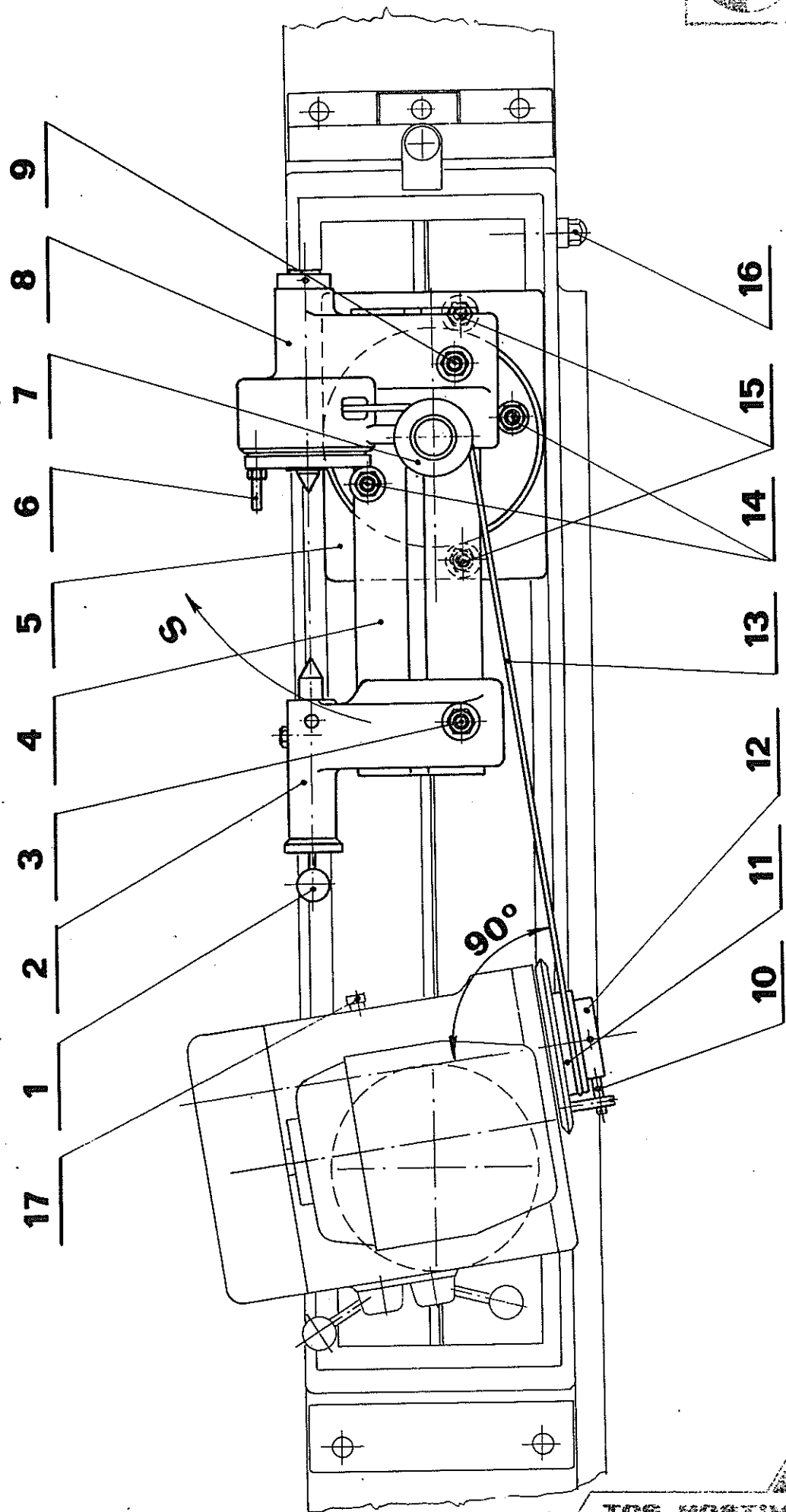
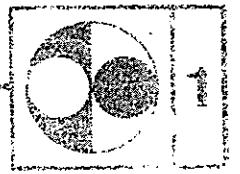
| | D | /D ₁ / | L | d ₀ | l ₀ | d ₁ | L ₁ | d | l | l/min |
|-------------|----|-------------------|-----|----------------|-----------------|----------------|----------------|----|----|--------|
| AP 25 | 70 | /50/ | 225 | 6 10 | 45 63 | 10 20 | 12 20 | 32 | 40 | 22 500 |
| AP 20 | 70 | /60/ | 225 | 6 10 14 | 45 63 80 | 10 20 25 | 12 20 25 | 40 | 40 | 18 000 |
| AP 15 | 70 | /70/ | 225 | 10 14 18 | 63 80 100 | 20 25 30 | 20 25 32 | 48 | 50 | 15 000 |
| EP 25a b | 70 | /50/ | 225 | 14 | 50 80 | 25 | 25 | 32 | 40 | 22 500 |
| EP 20a b | 70 | /60/ | 225 | 18 | 63 100 | 30 | 32 | 40 | 40 | 18 000 |
| EP 15a b | 70 | /70/ | 225 | 22 | 80 125 | 40 | 40 | 48 | 50 | 15 000 |

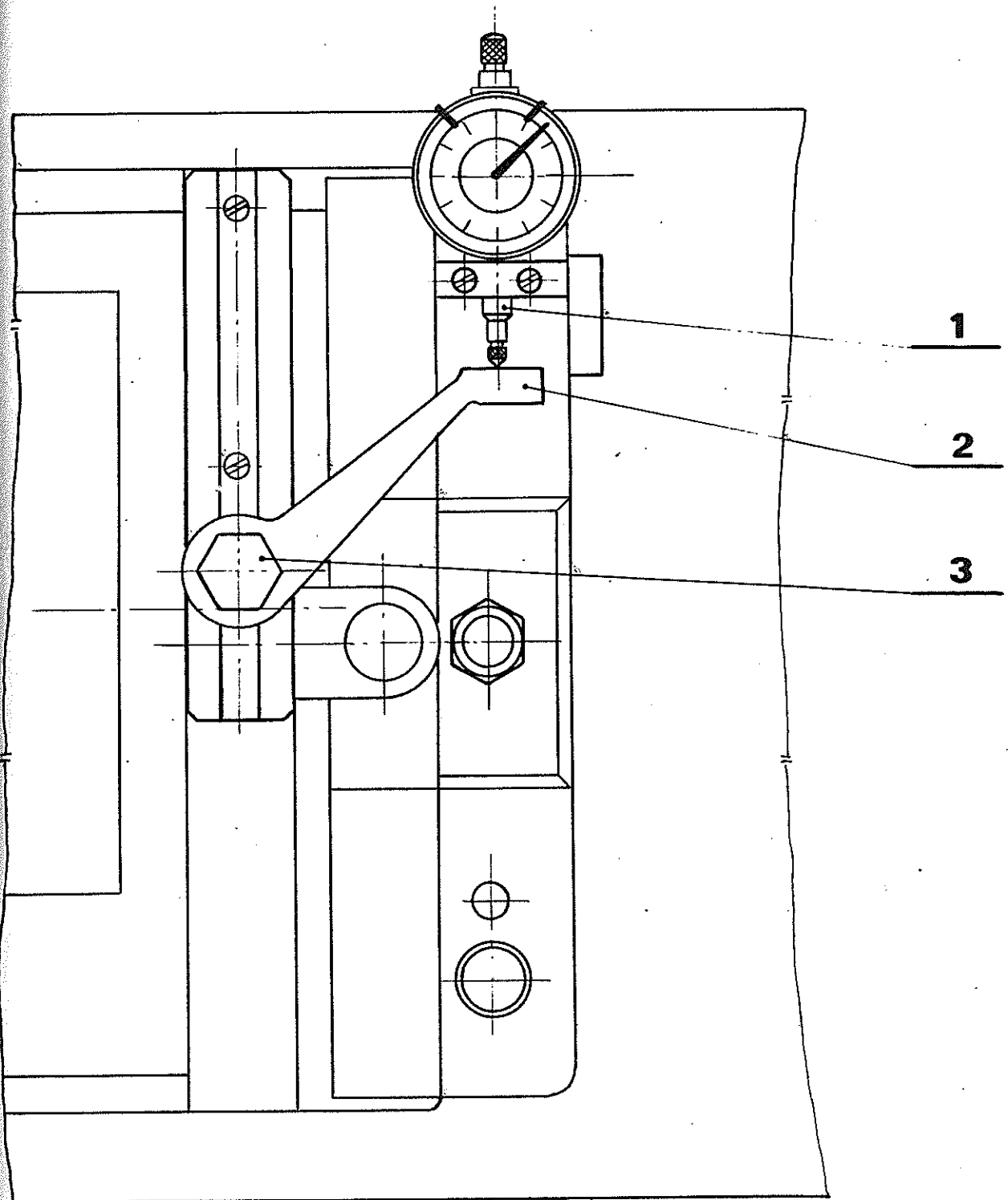
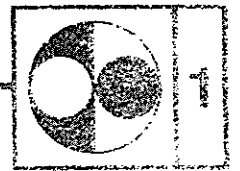
inch

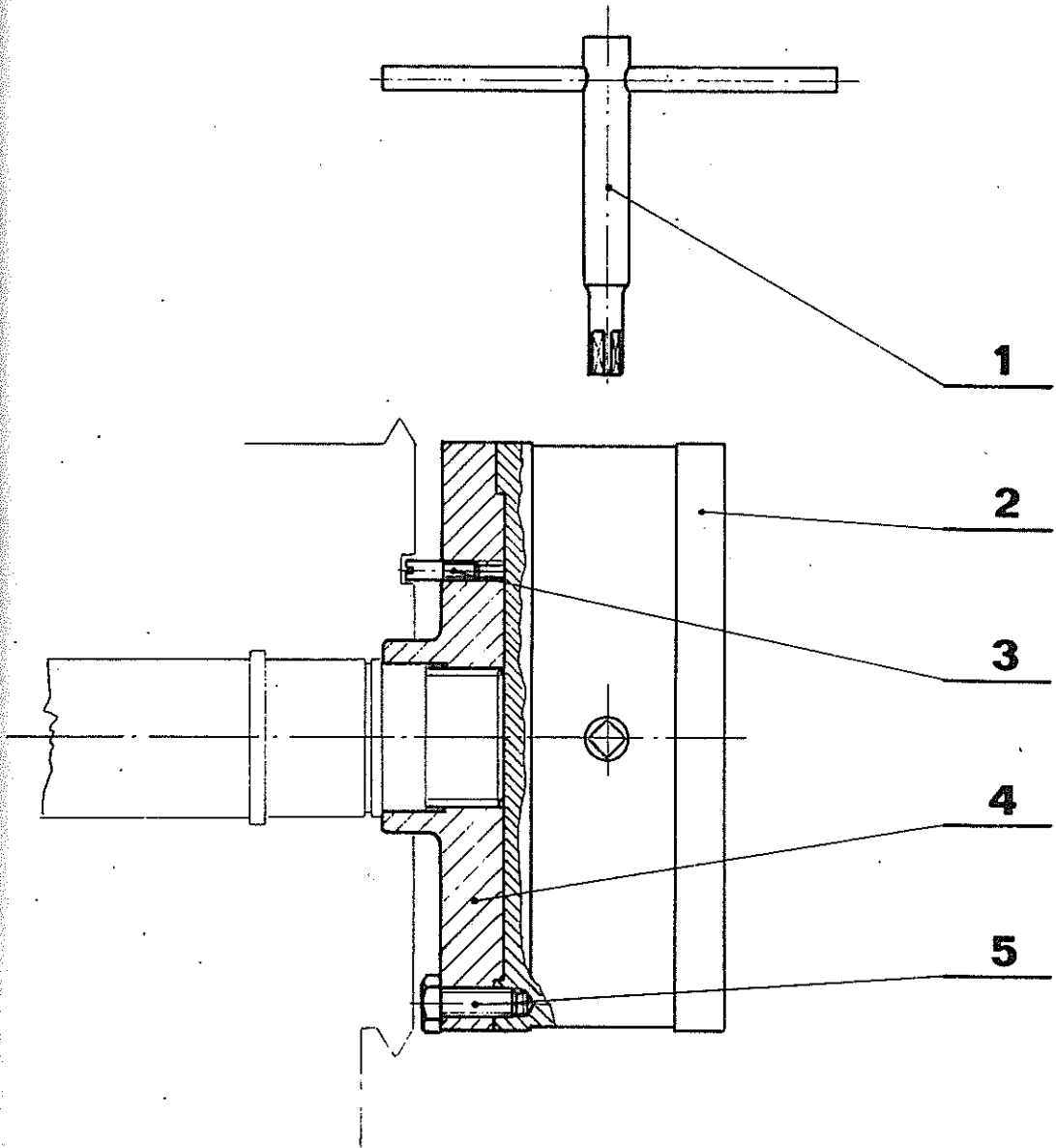
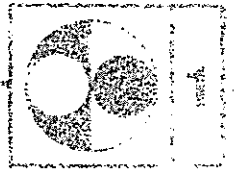
| | D | /D ₁ / | L | d ₀ | l ₀ | d ₁ | L ₁ | d | l | l/min |
|-------------|-------|-------------------|-------|-------------------------|-------------------------|-------------------------|-------------------------|-------|-------|--------|
| AP 25 | 2,756 | 1,969 | 8,858 | 0,236 0,394 | 1,772 2,480 | 0,394 0,787 | 0,472 0,787 | 1,260 | 1,575 | 22 500 |
| AP 20 | 2,756 | 2,362 | 8,858 | 0,236 0,394 0,551 | 1,772 2,480 3,149 | 0,394 0,787 0,984 | 0,472 0,787 0,984 | 1,575 | 1,575 | 18 000 |
| AP 15 | 2,756 | 2,756 | 8,858 | 0,394 0,551 0,709 | 2,480 3,149 3,937 | 0,787 0,984 1,181 | 0,787 0,984 1,260 | 1,889 | 1,969 | 15 000 |
| EP 25a b | 2,756 | 1,969 | 8,858 | 0,551 | 1,969 3,149 | 0,984 | 0,984 | 1,260 | 1,575 | 22 500 |
| EP 20a b | 2,756 | 2,362 | 8,858 | 0,709 | 2,480 3,937 | 1,181 | 1,260 | 1,575 | 1,575 | 18 000 |
| EP 15a b | 2,756 | 2,756 | 8,858 | 0,866 | 3,149 4,923 | 1,575 | 1,575 | 1,889 | 1,969 | 15 000 |

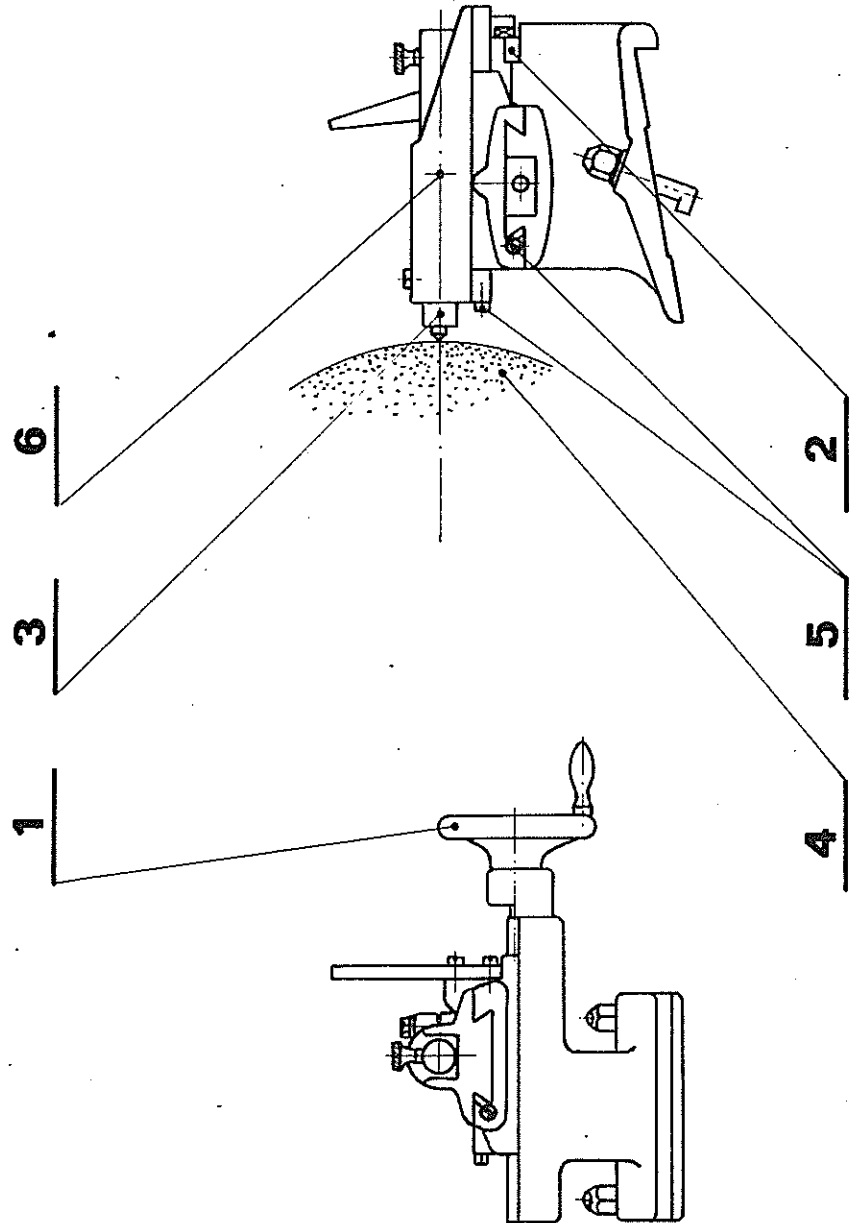
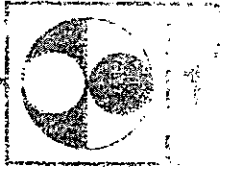


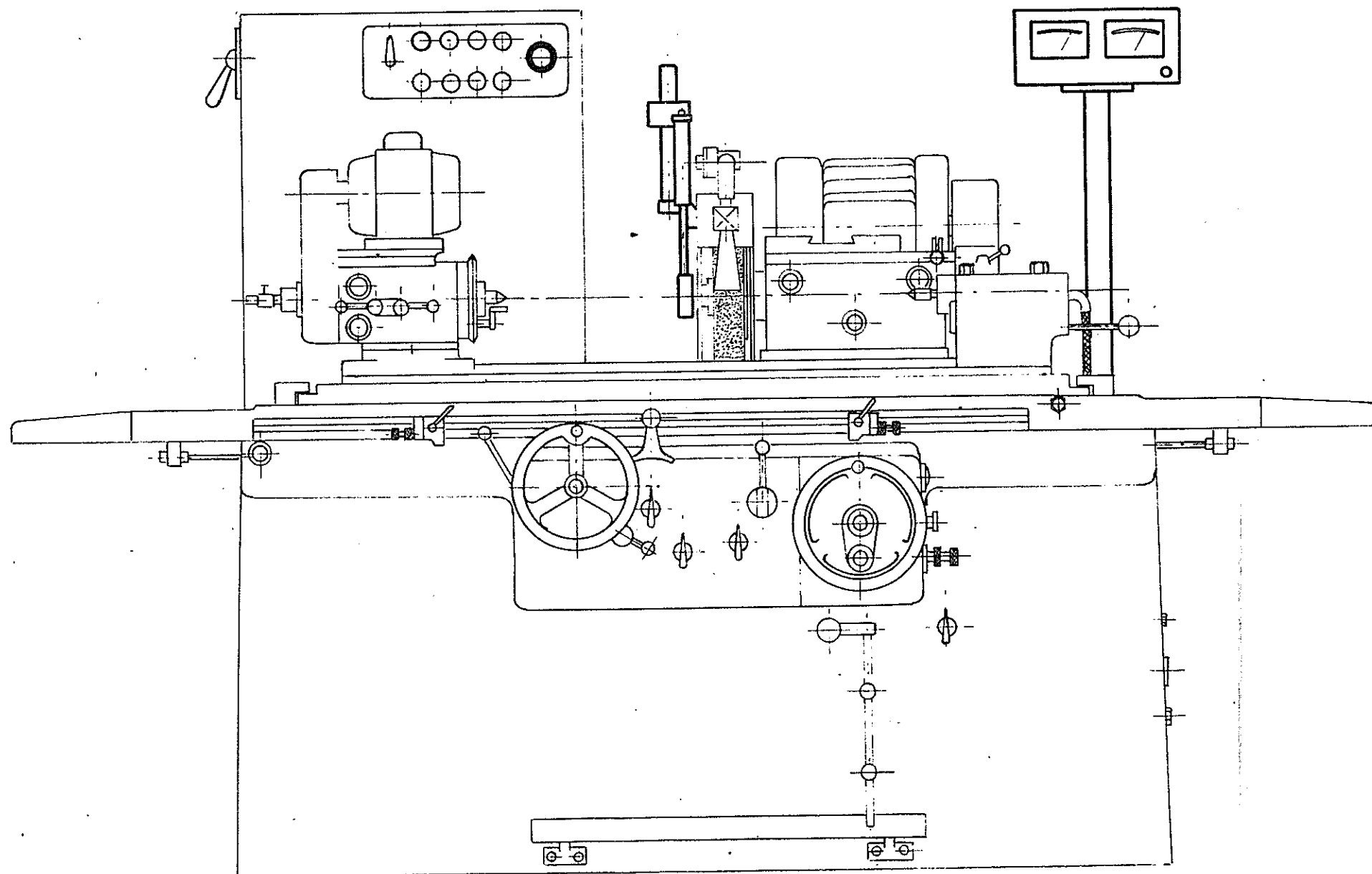


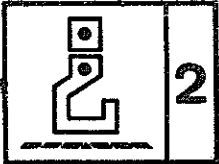




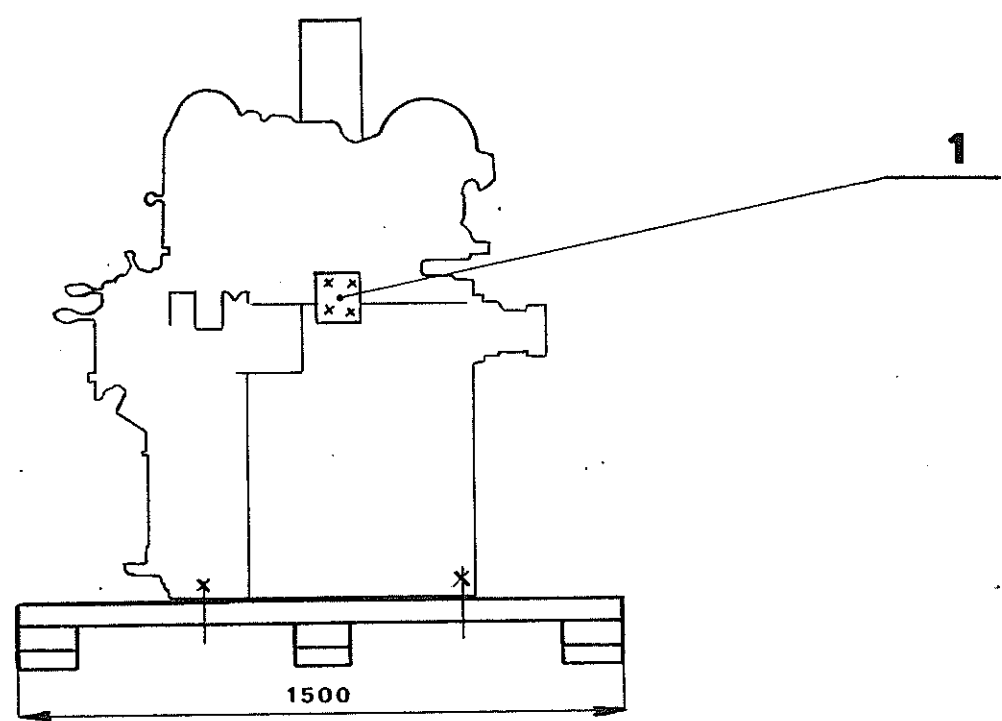
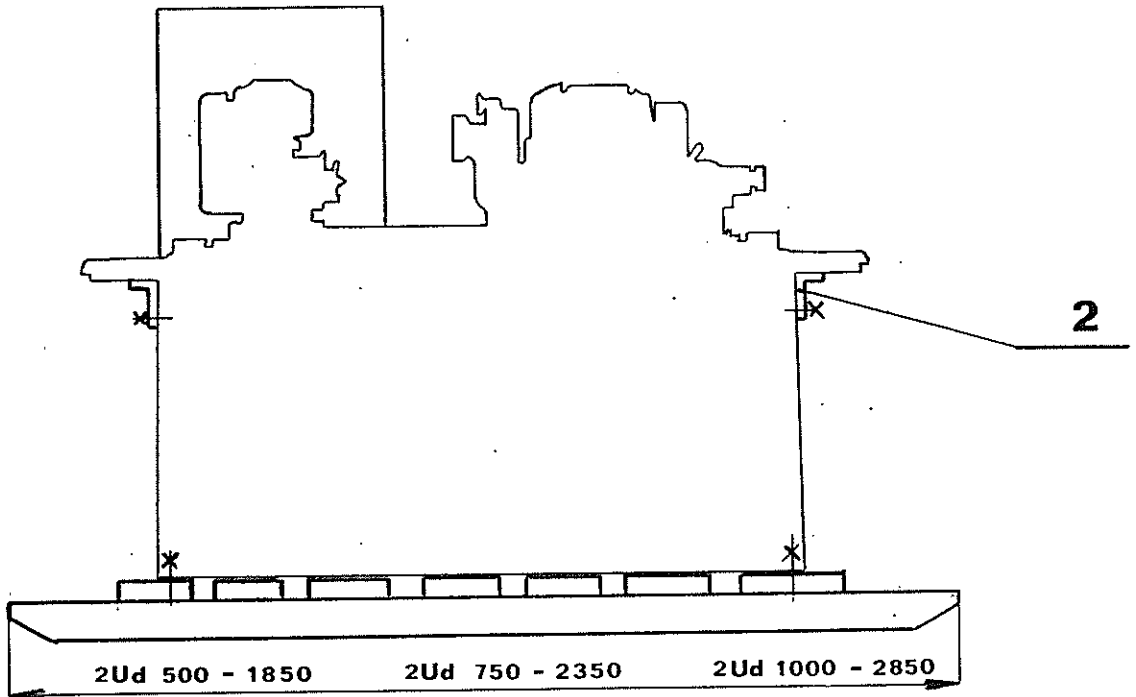


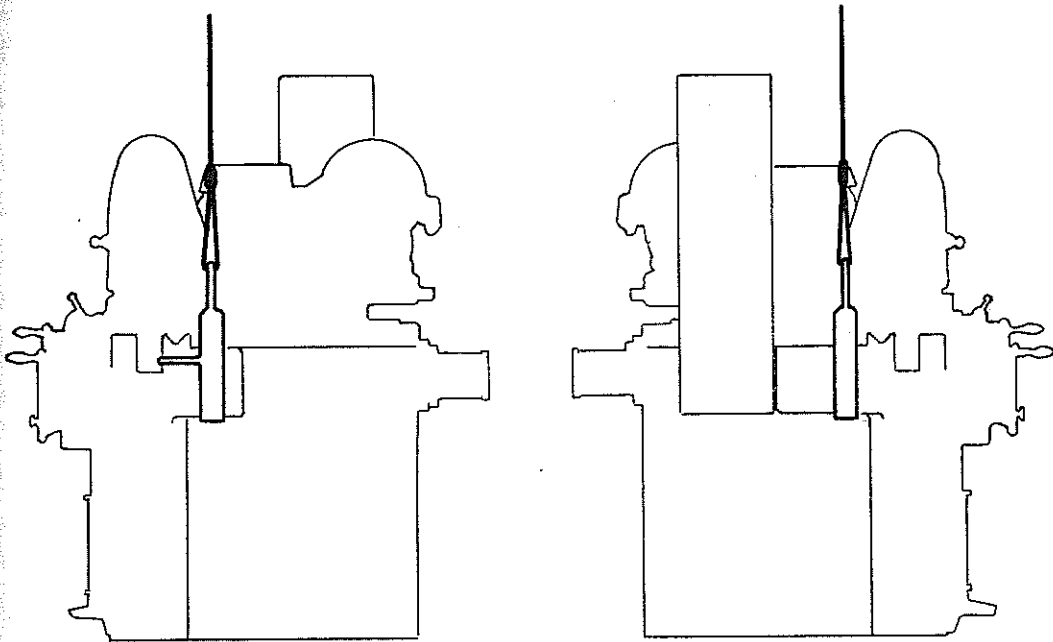
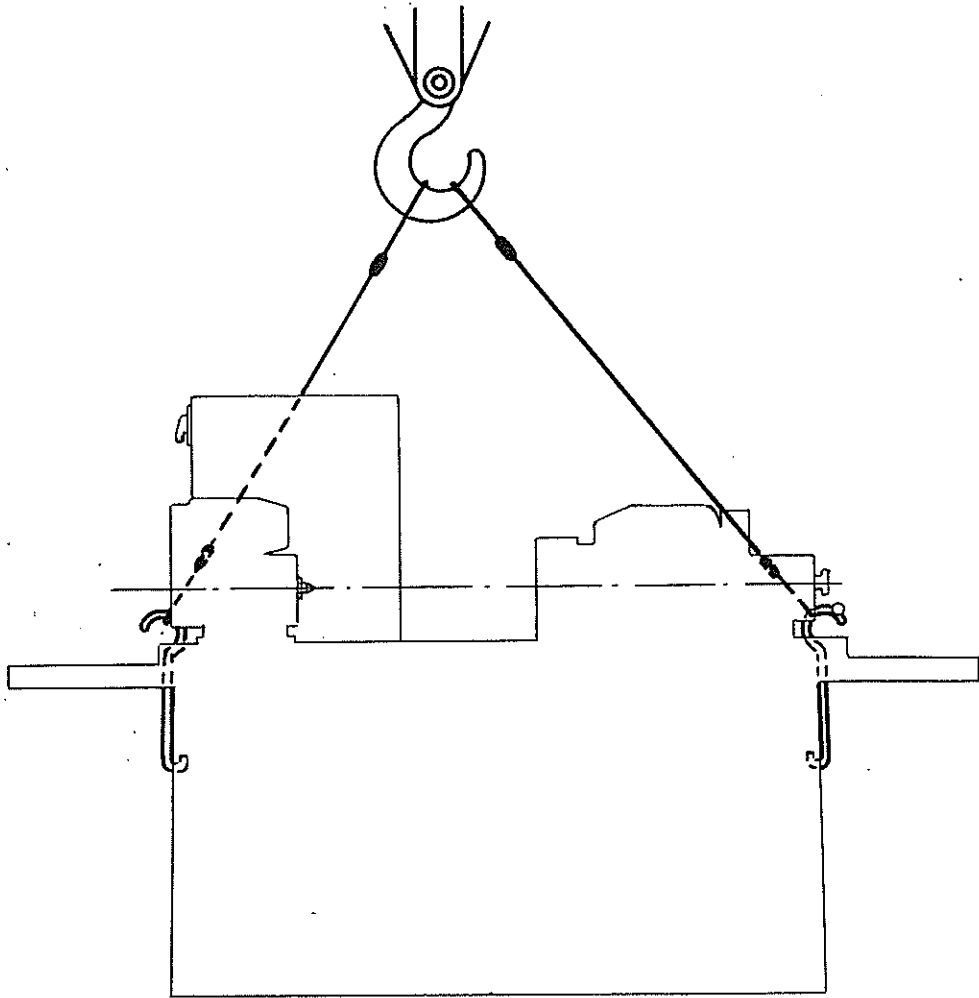


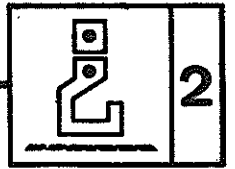




1

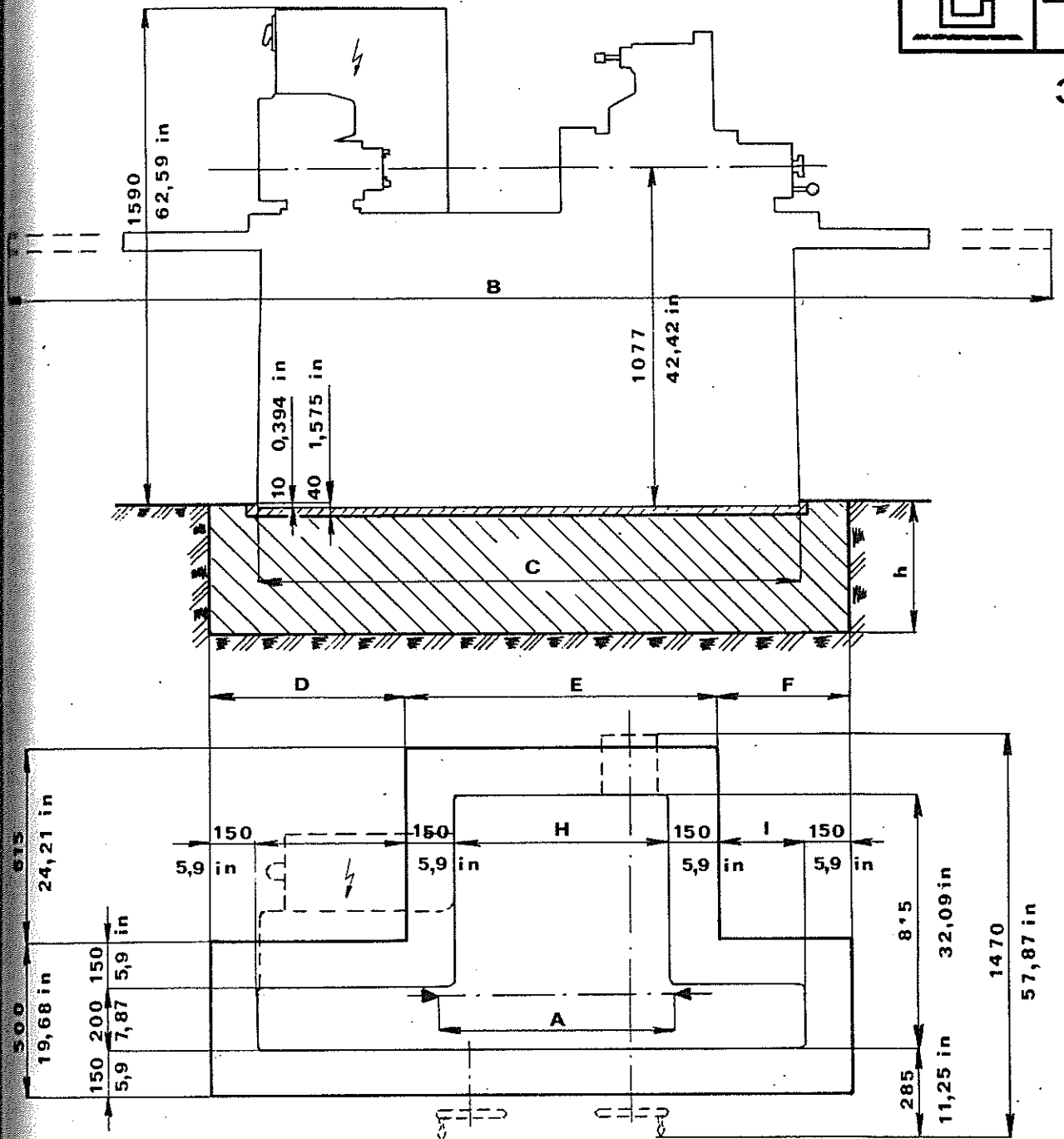






2

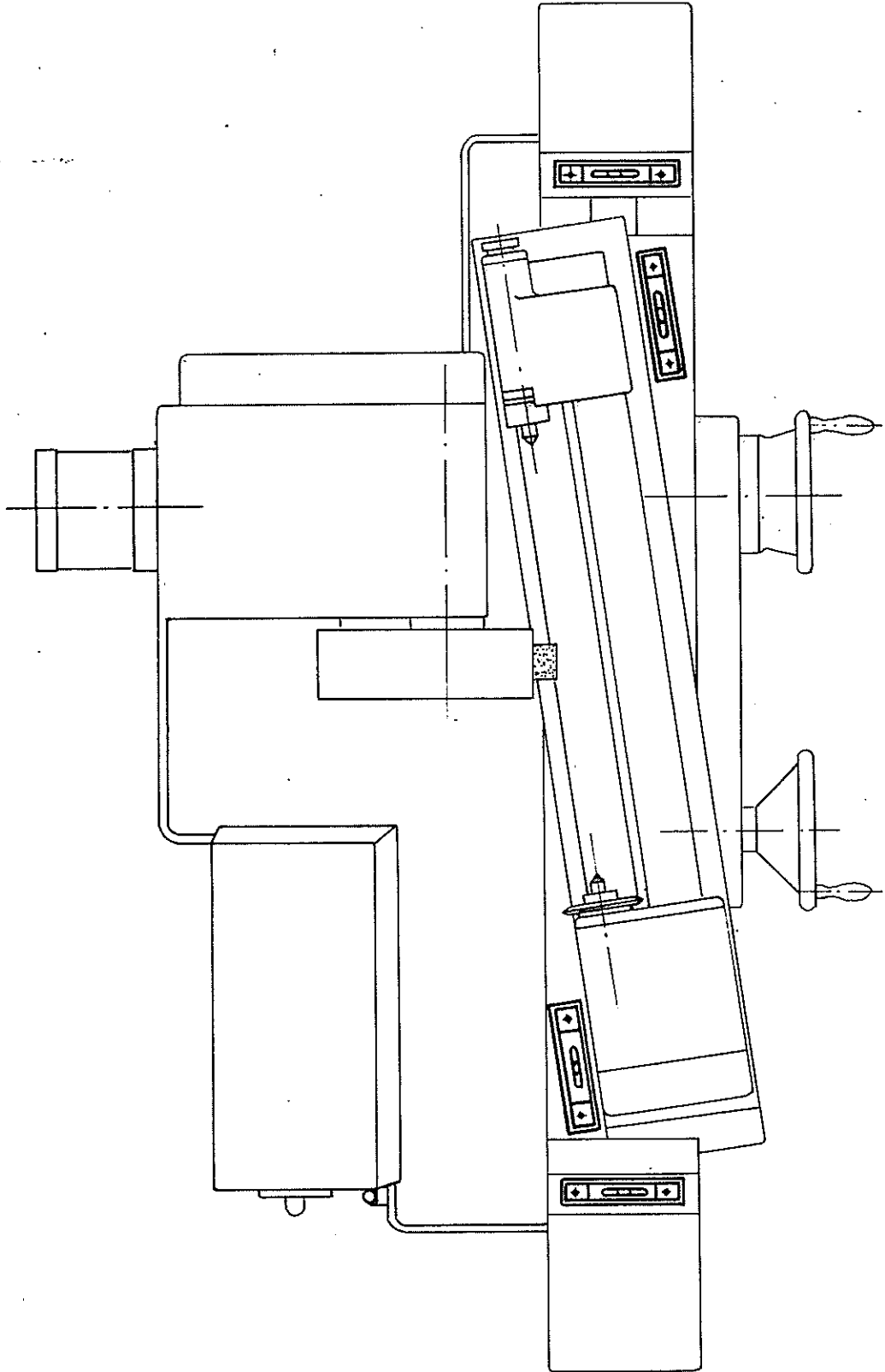
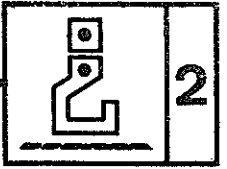
3

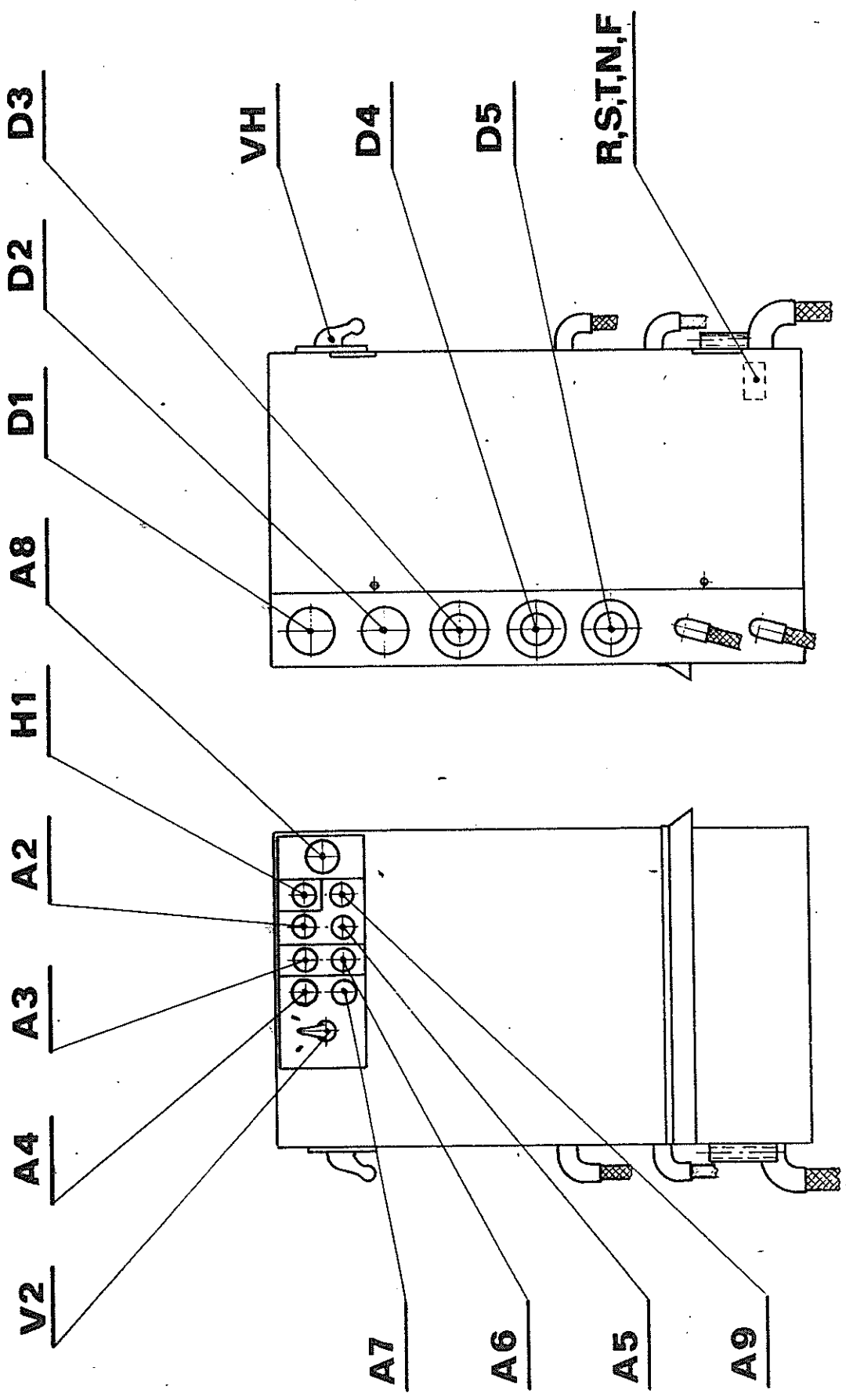
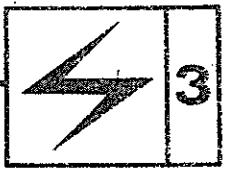


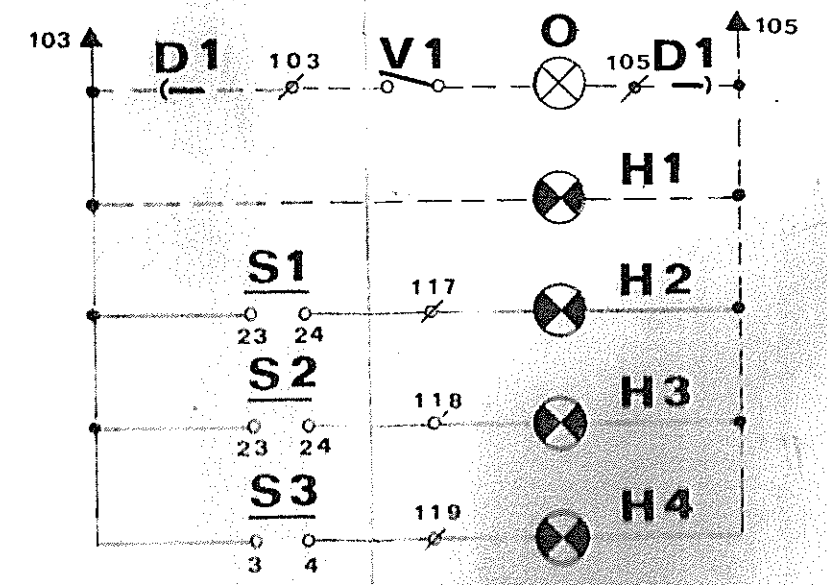
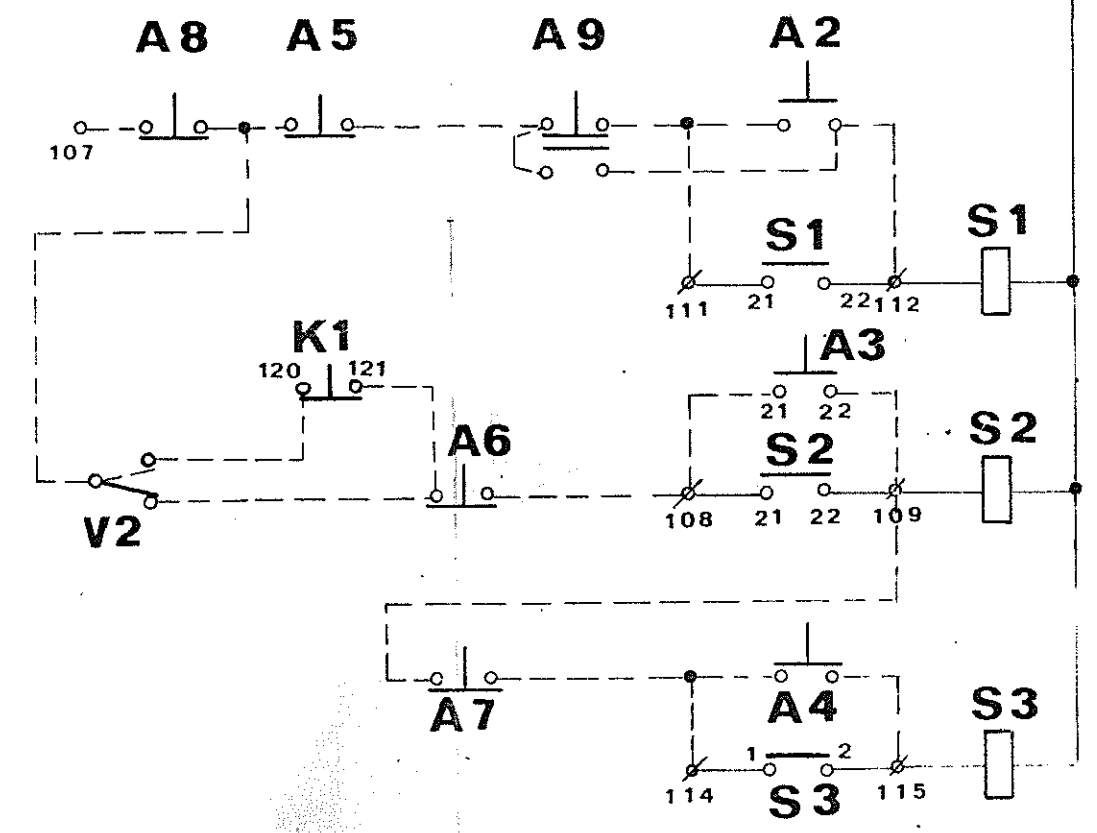
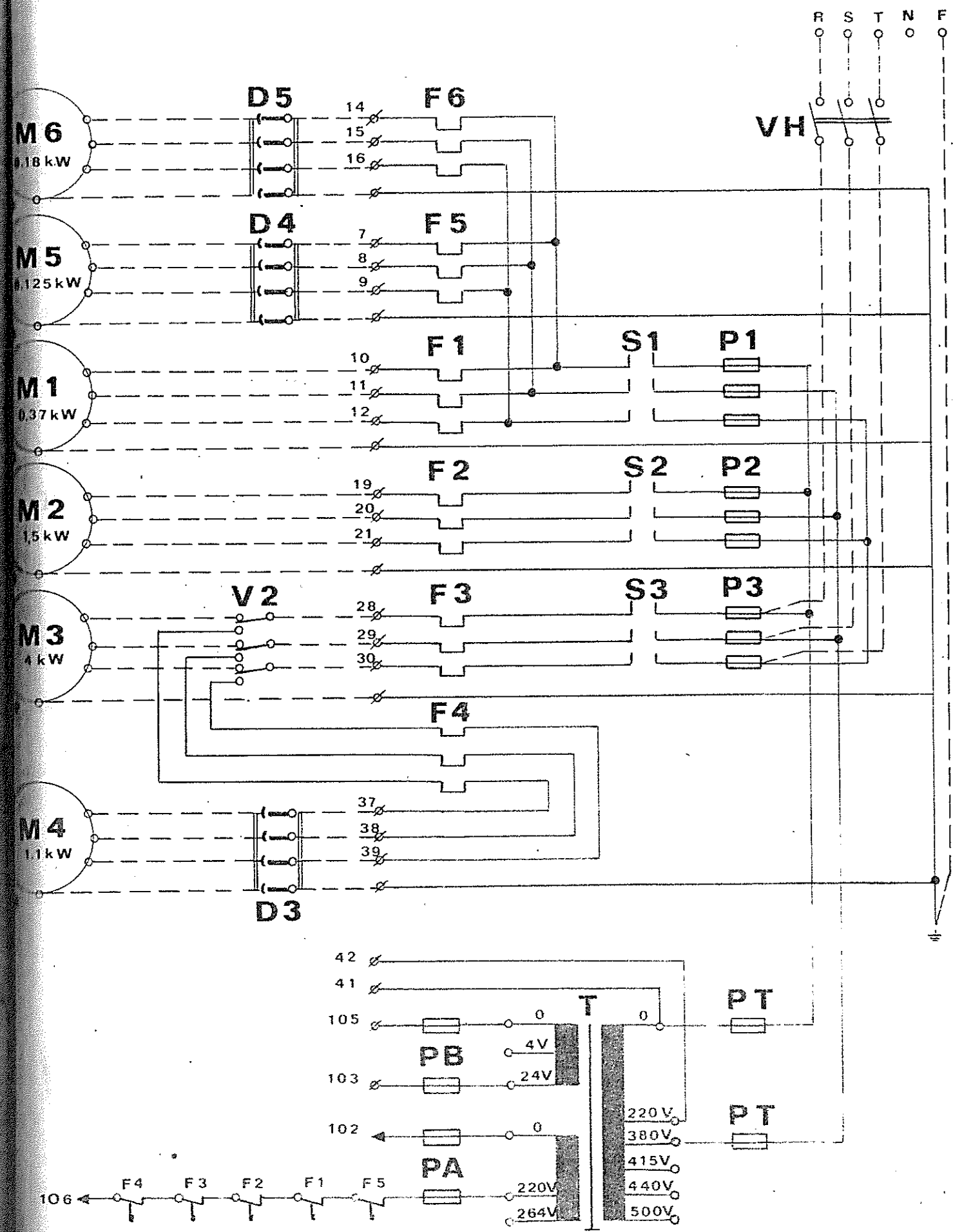
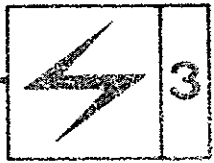
| | | mm | | | | | | | | |
|-----|------|------|------|------|-----|-----|-----|-----|-----|-----|
| | | A | B | C | D | E | F | G | H | I |
| 2Ud | 500 | 500 | 2755 | 1330 | 560 | 840 | 230 | 410 | 540 | 80 |
| 2Ud | 750 | 750 | 3350 | 1730 | 620 | 975 | 435 | 470 | 675 | 285 |
| 2Ud | 1000 | 1000 | 4110 | 2230 | 870 | 975 | 685 | 720 | 675 | 535 |

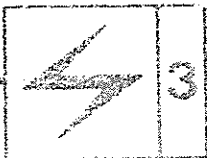
| | | inch | | | | | | | | |
|-----|------|-------|--------|-------|-------|-------|-------|-------|-------|-------|
| | | A | B | C | D | E | F | G | H | I |
| 2Ud | 500 | 19,68 | 108,46 | 52,36 | 22,04 | 33,07 | 9,05 | 16,14 | 21,26 | 3,14 |
| 2Ud | 750 | 29,52 | 131,89 | 68,11 | 24,40 | 38,39 | 17,12 | 18,50 | 26,77 | 11,25 |
| 2Ud | 1000 | 39,37 | 161,81 | 87,79 | 34,25 | 38,39 | 26,97 | 28,34 | 26,77 | 21,06 |



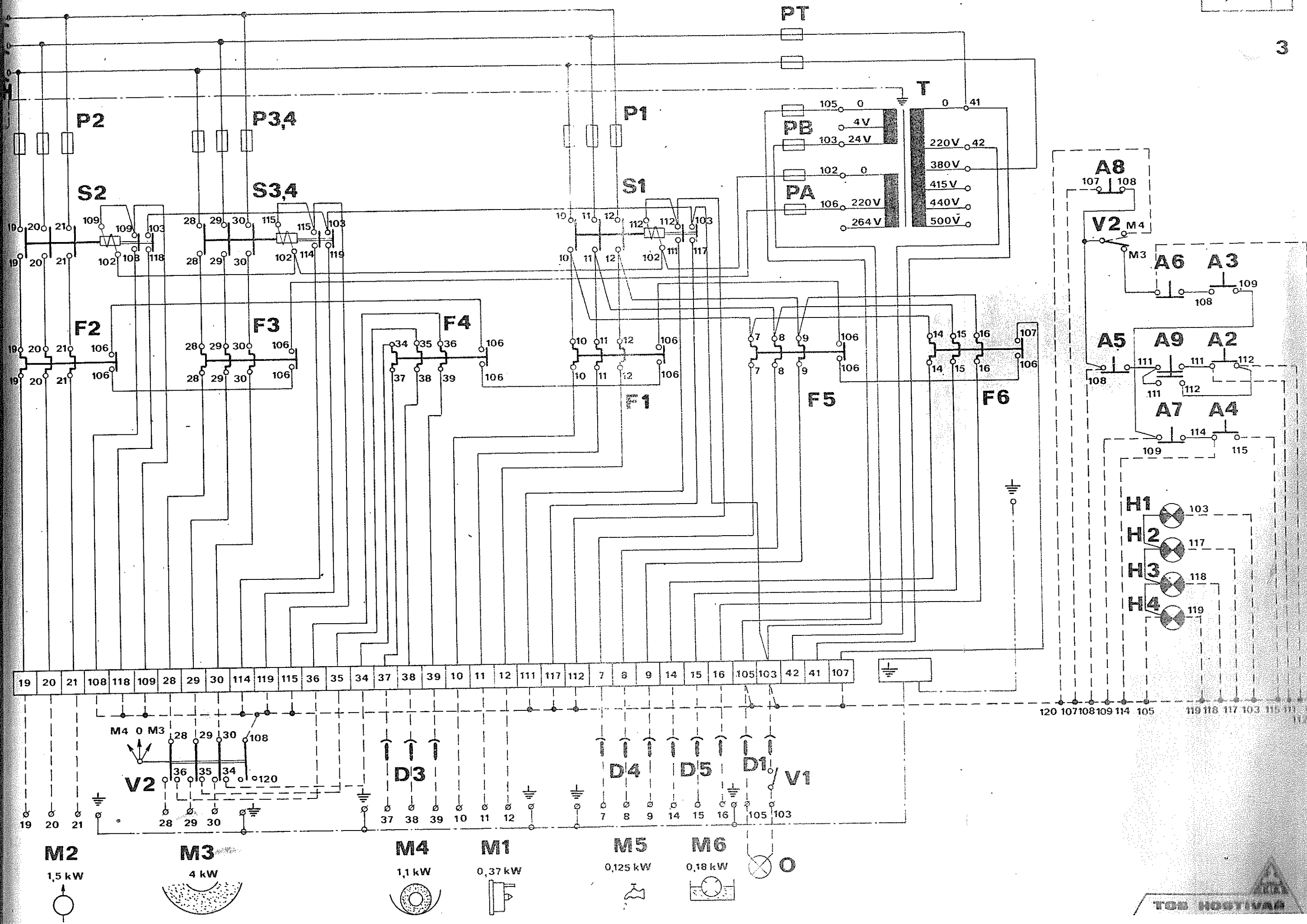


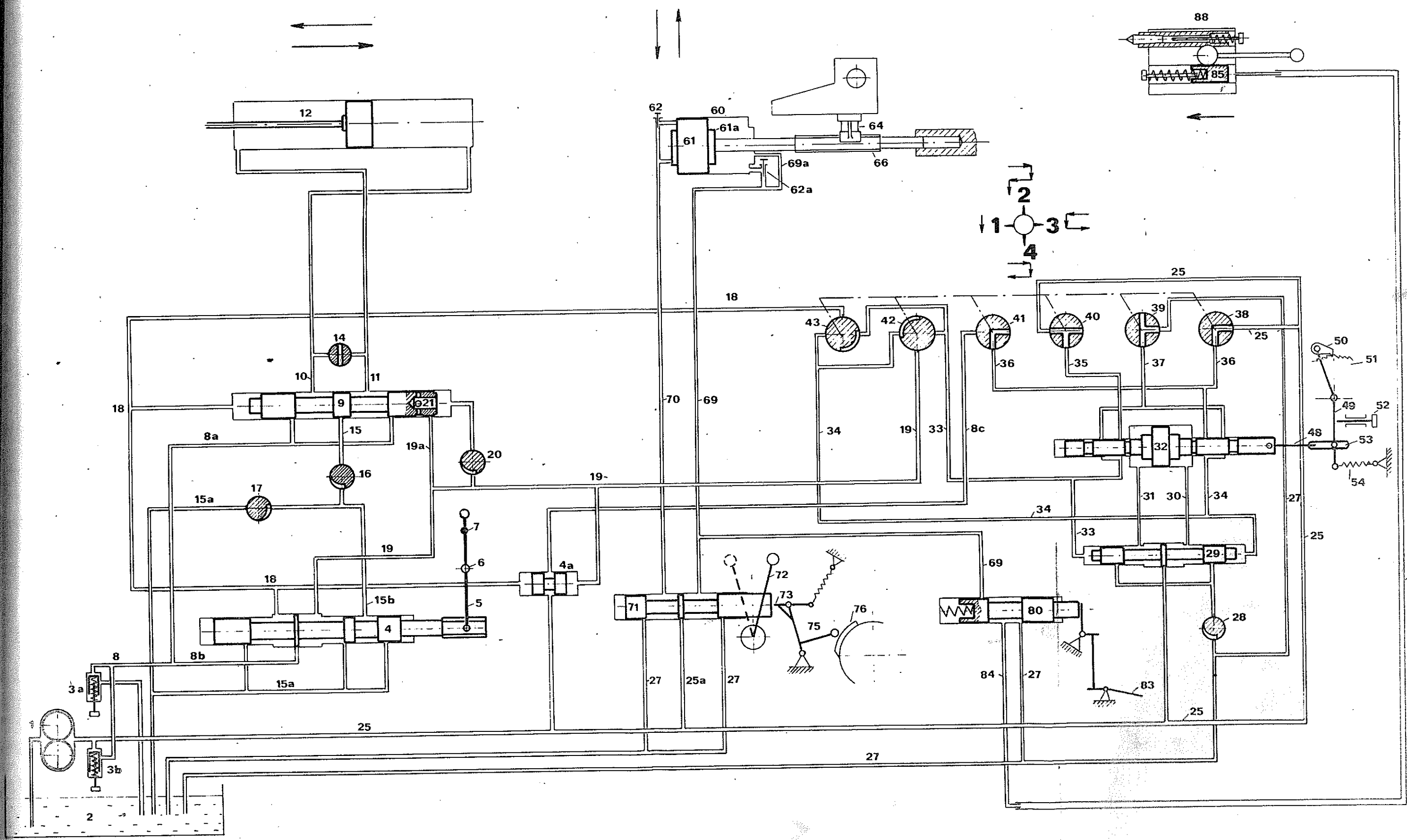


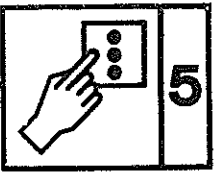




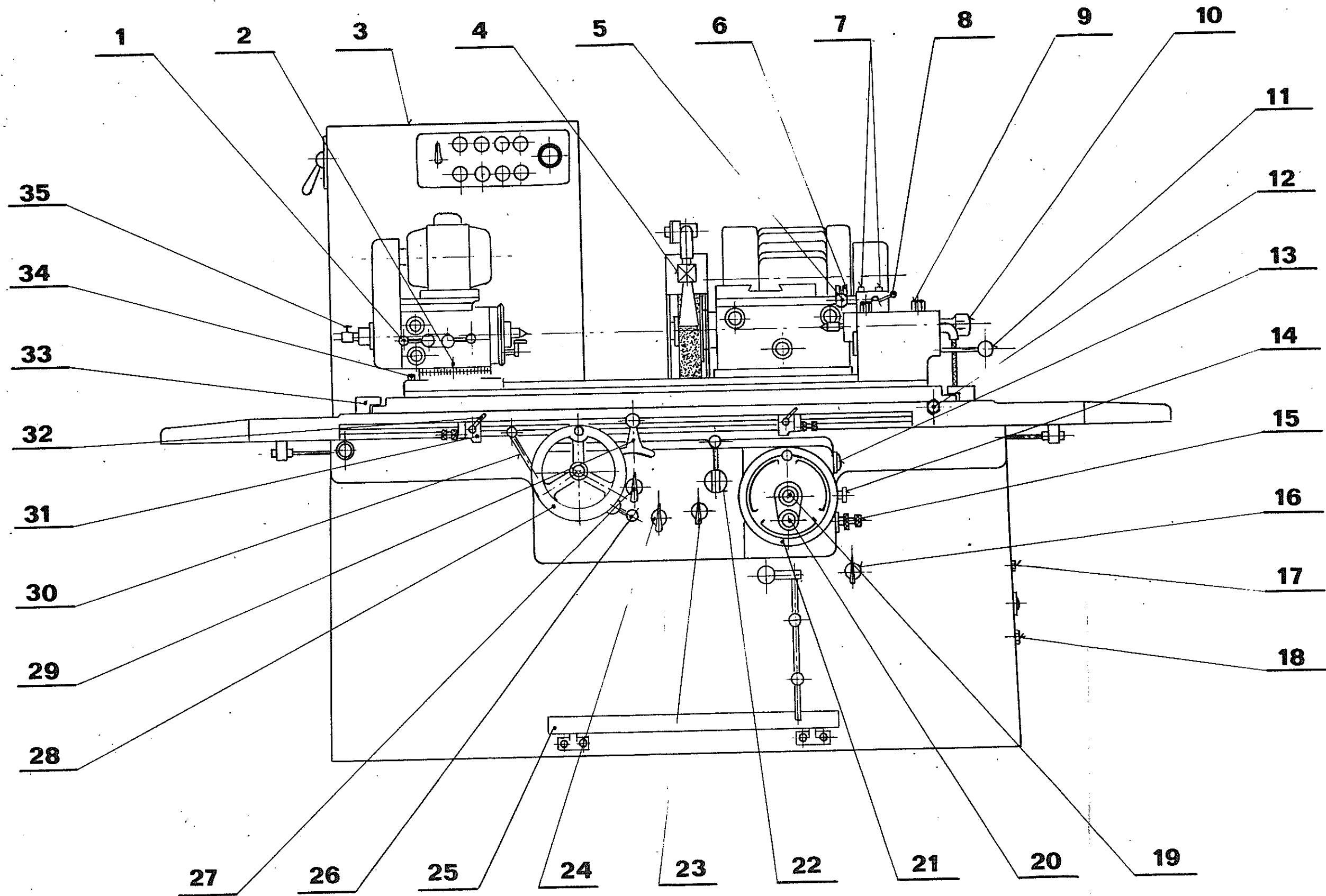
3

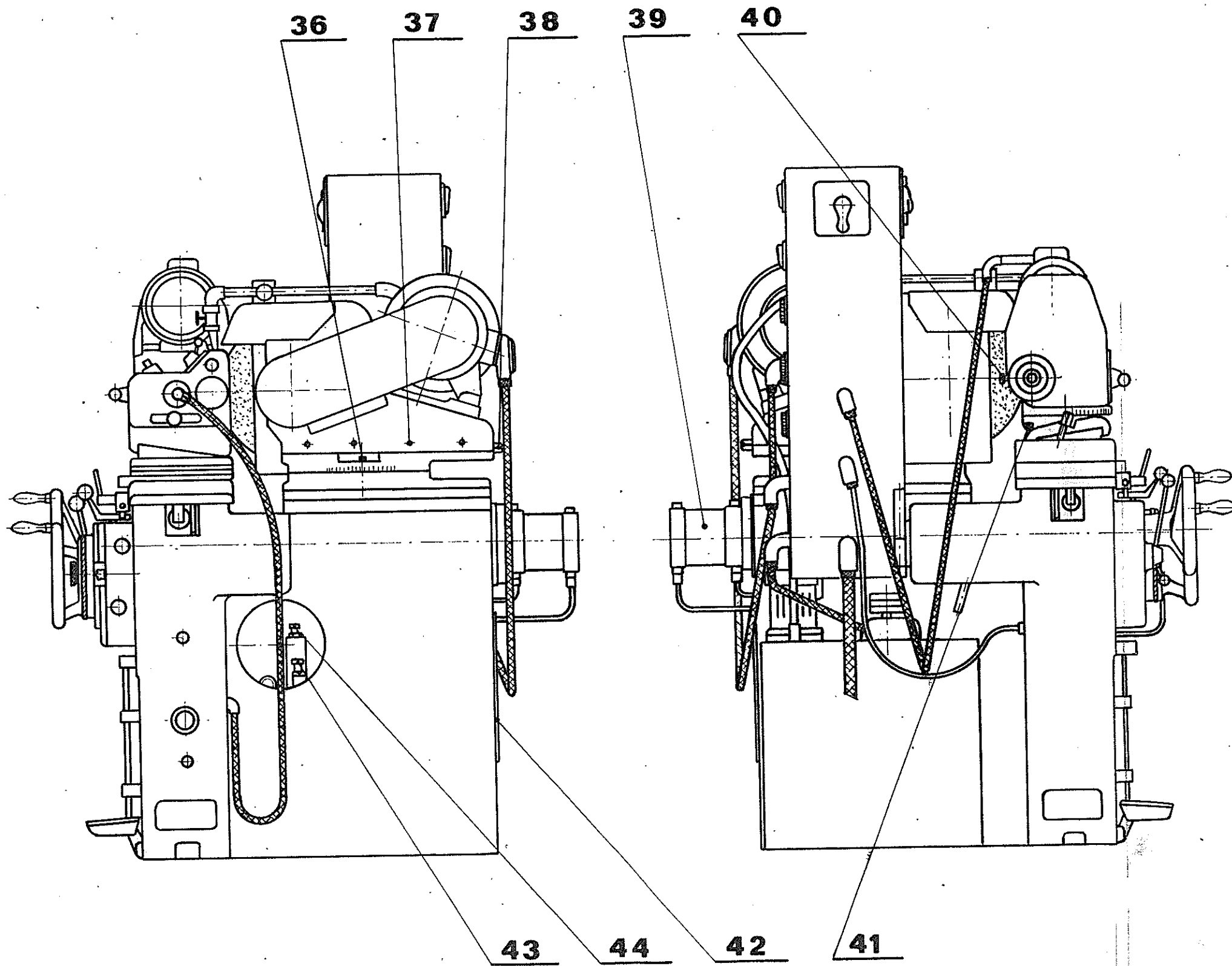


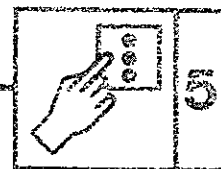




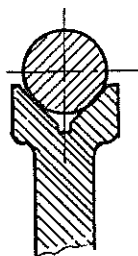
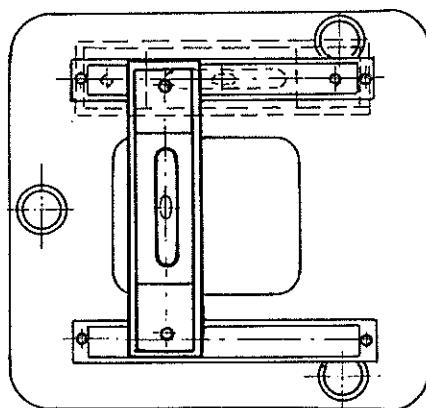
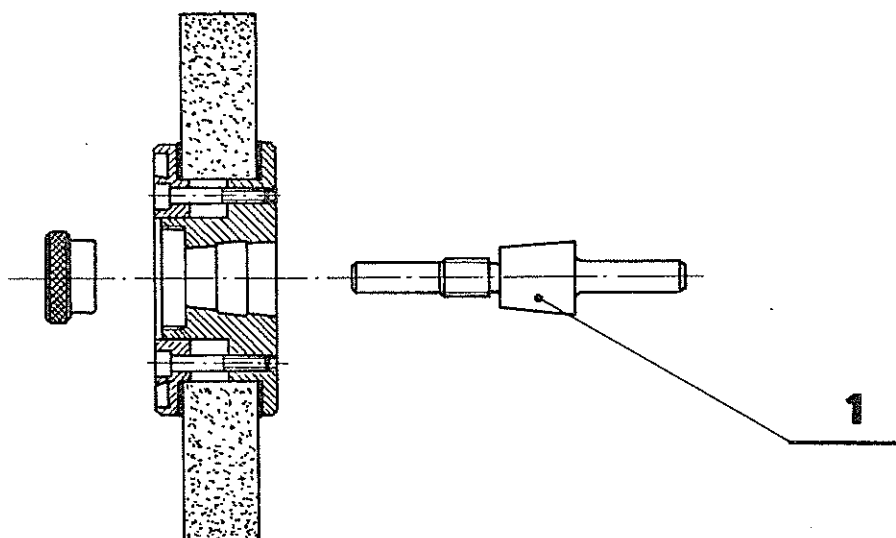
1



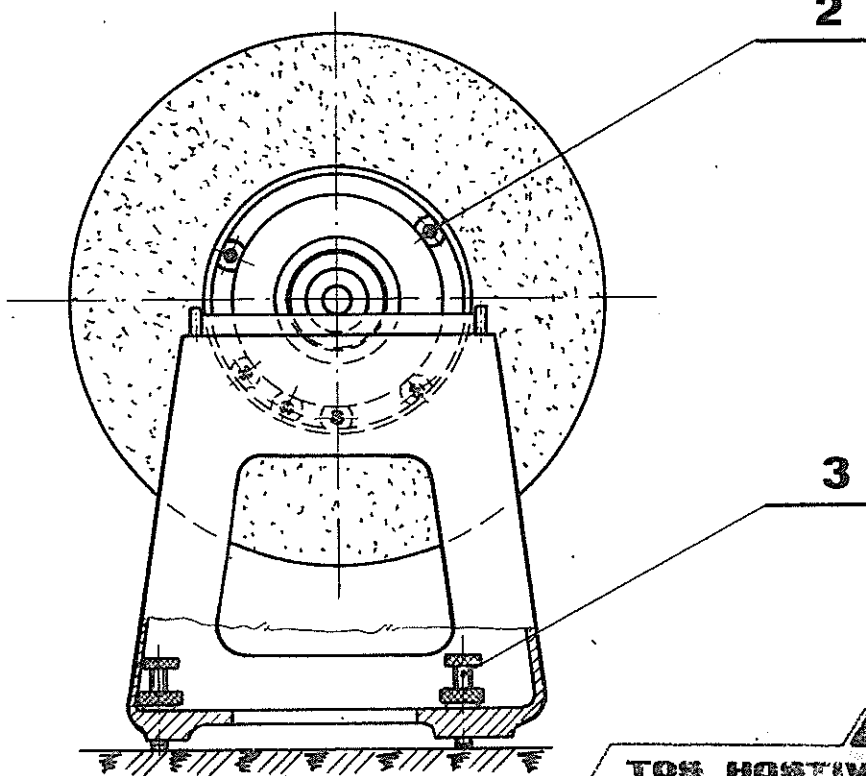




3



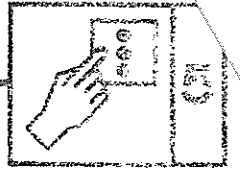
2



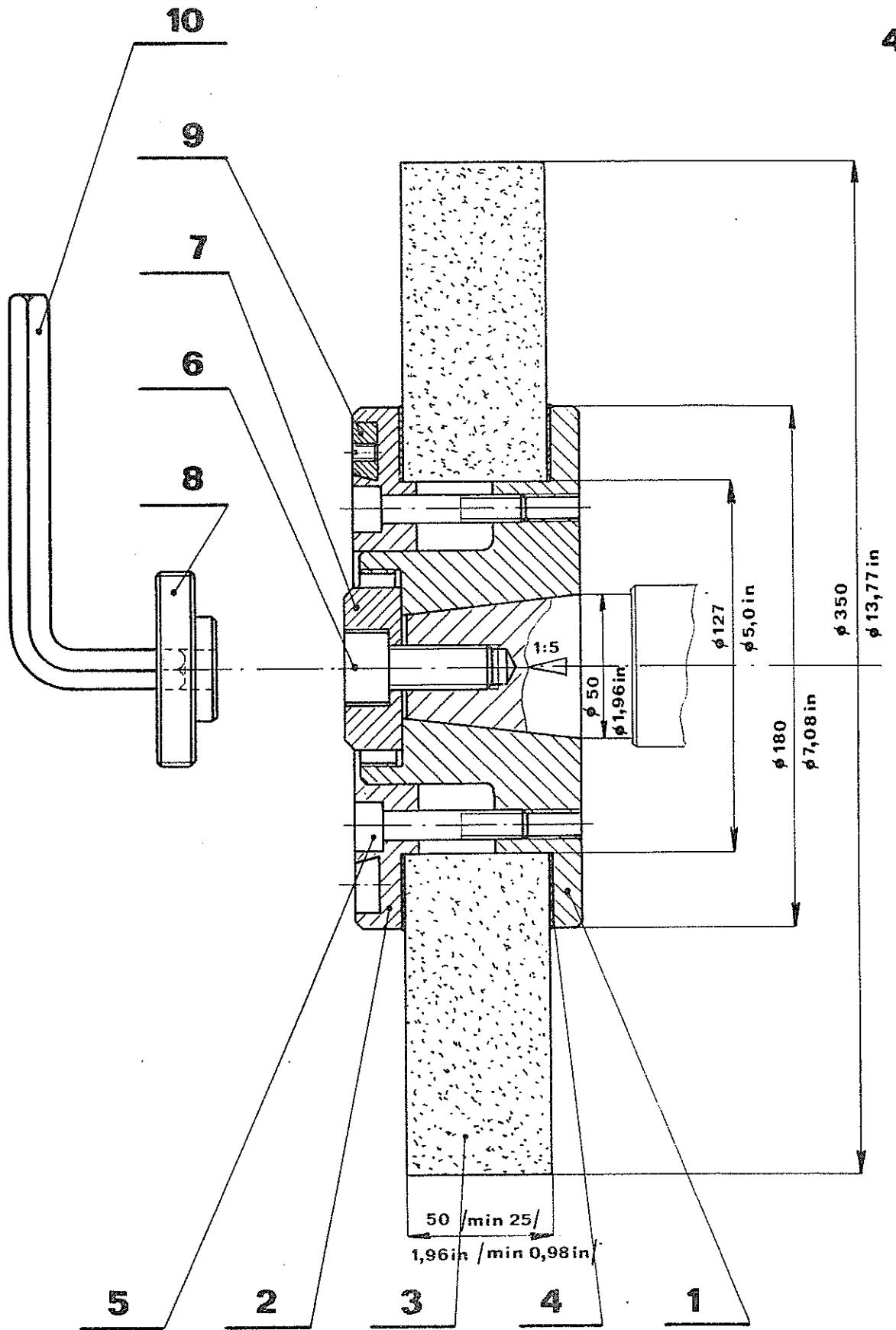
3

TOS HOSTIVAR



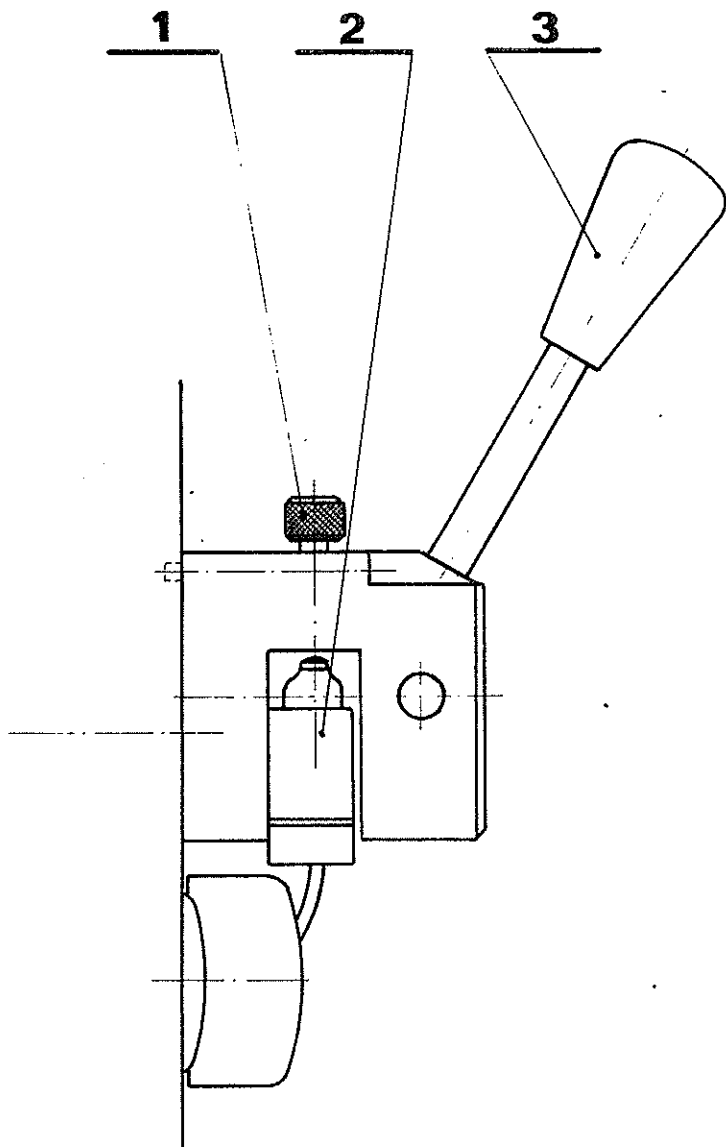


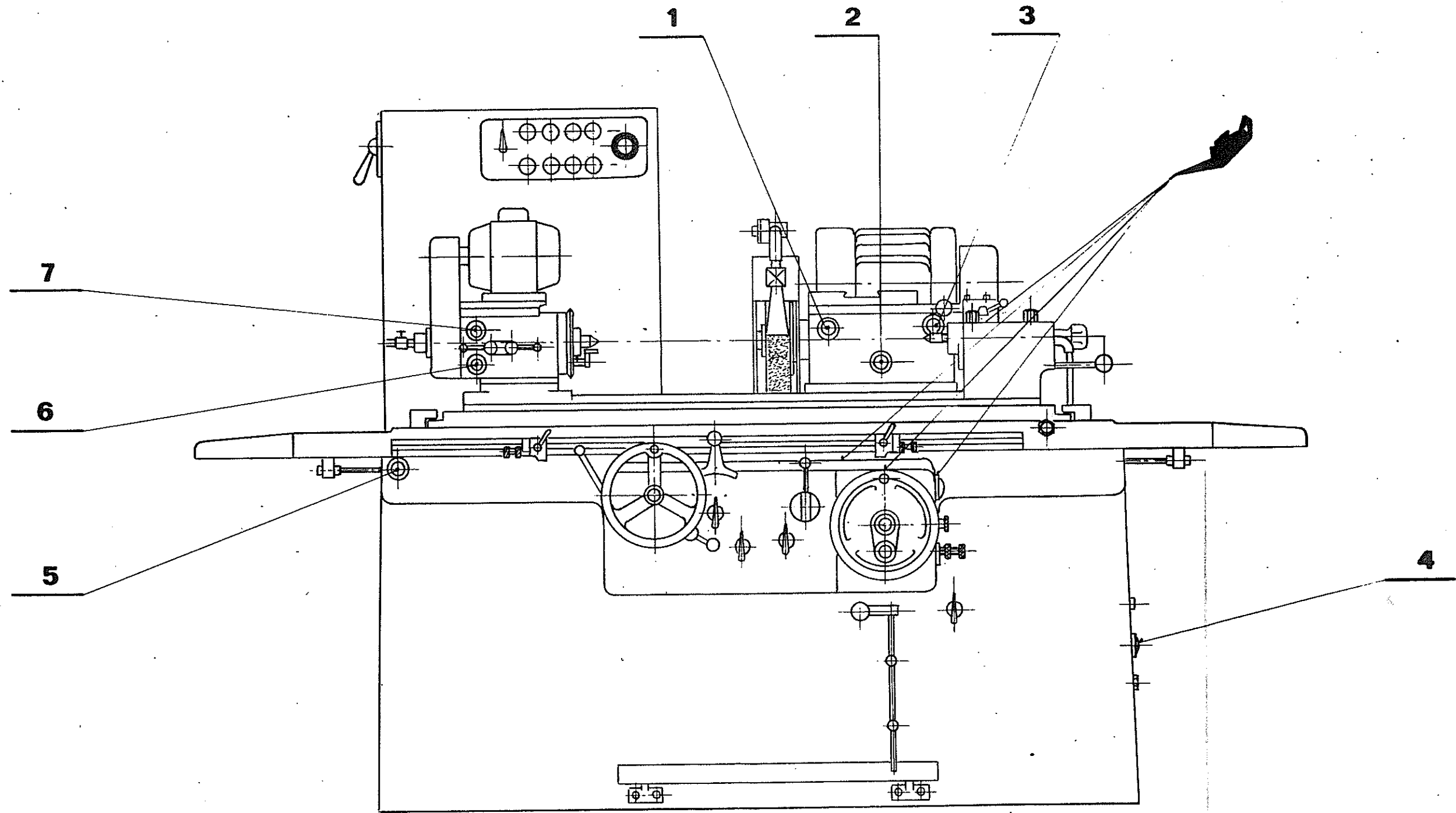
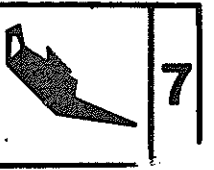
4

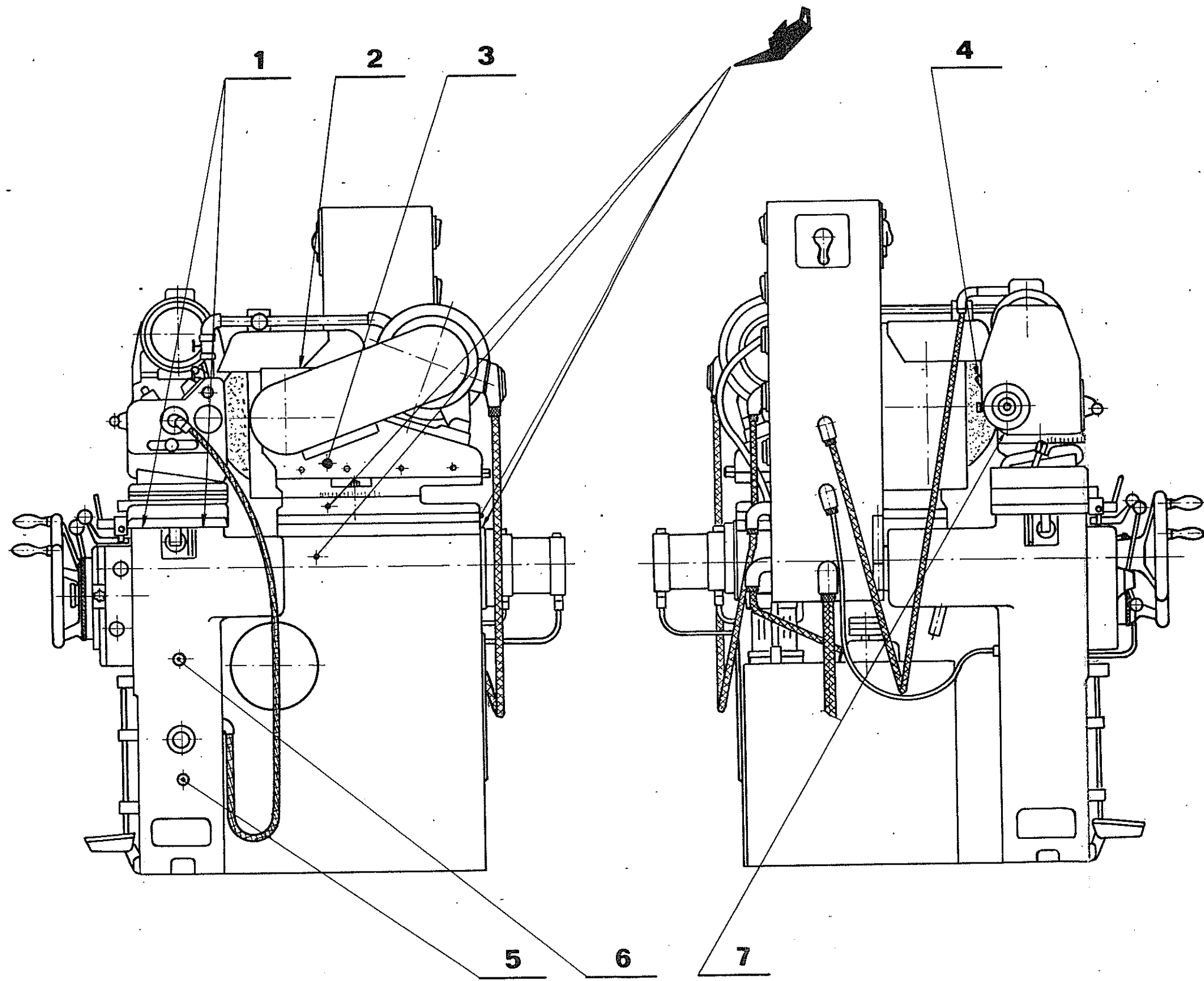


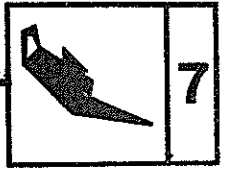


5

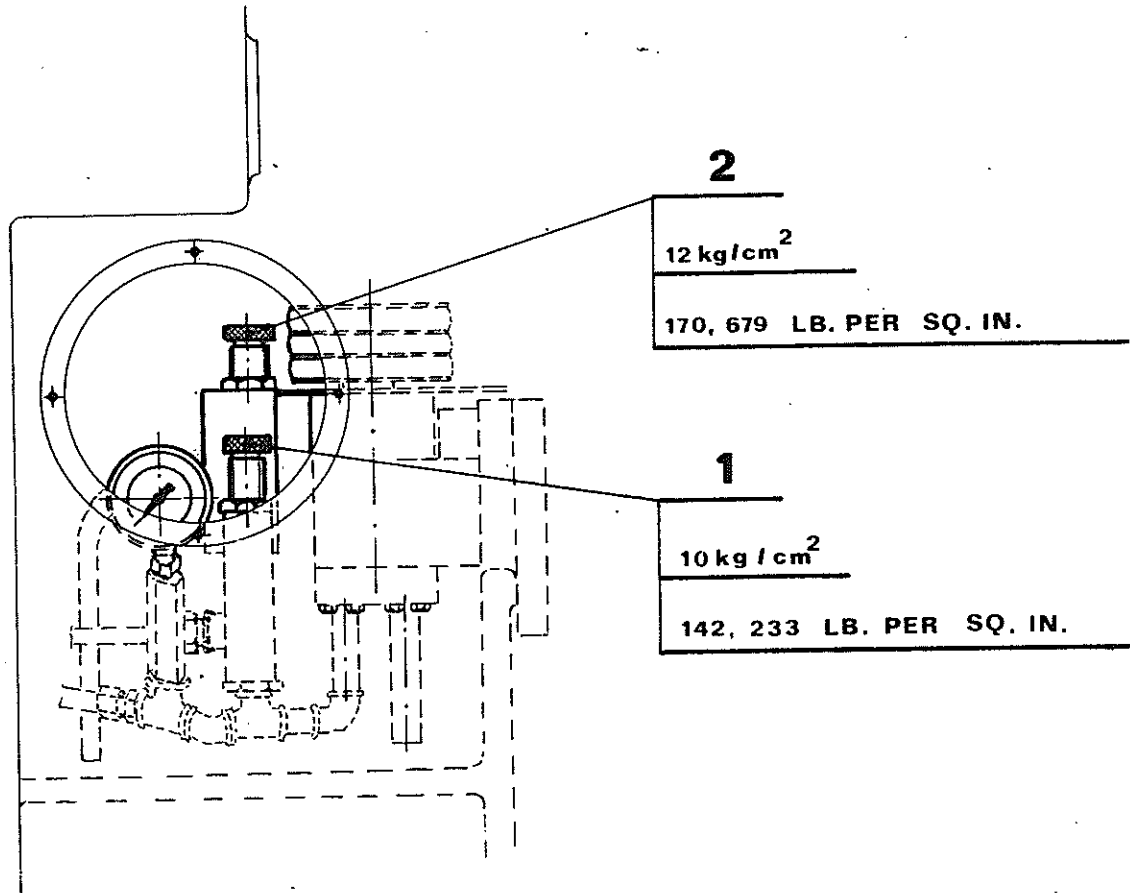


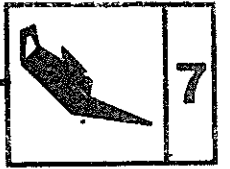






3





4

