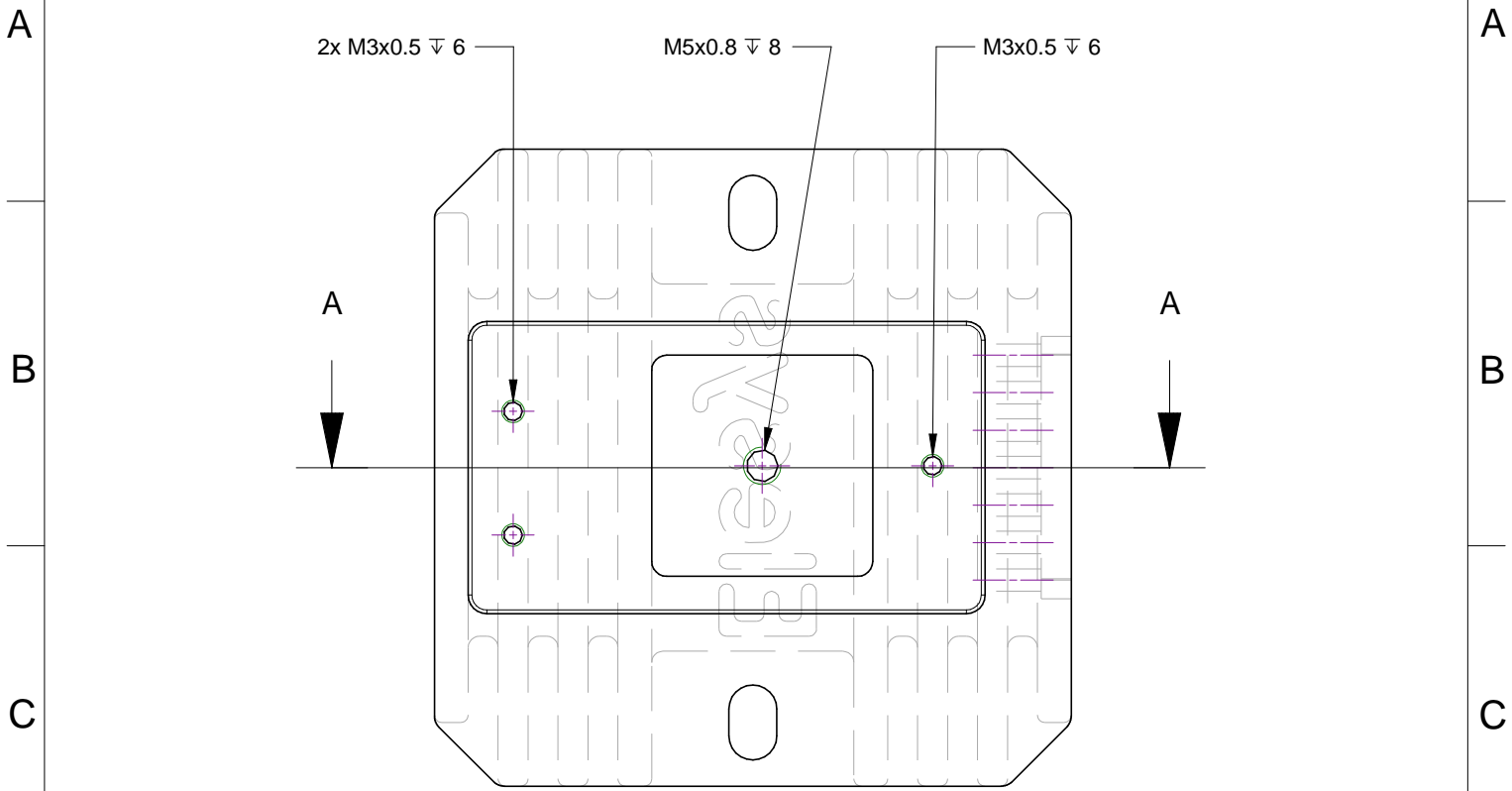
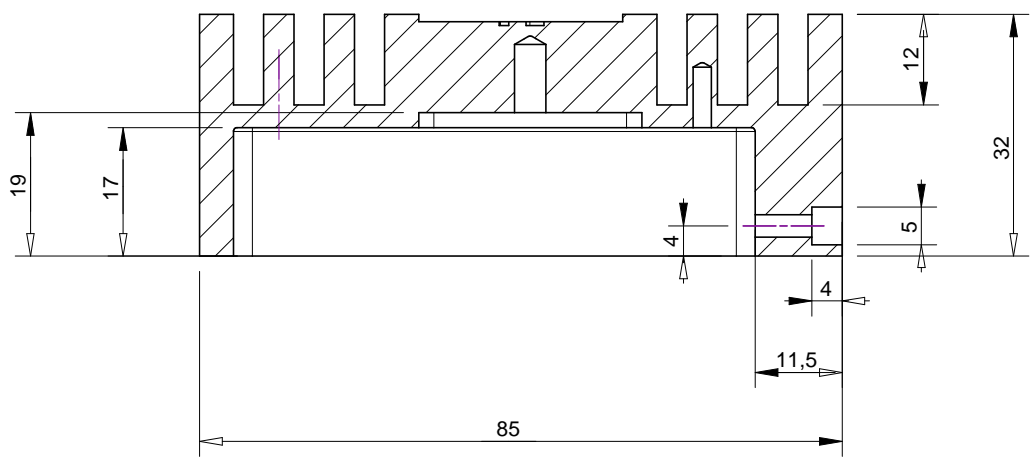


1		2	3	4
RevNo	Revision note			Date
				Signature
				Checked



A - A



Edition	Sheet
---------	-------