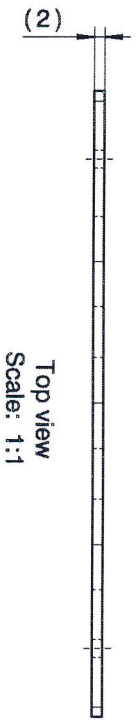
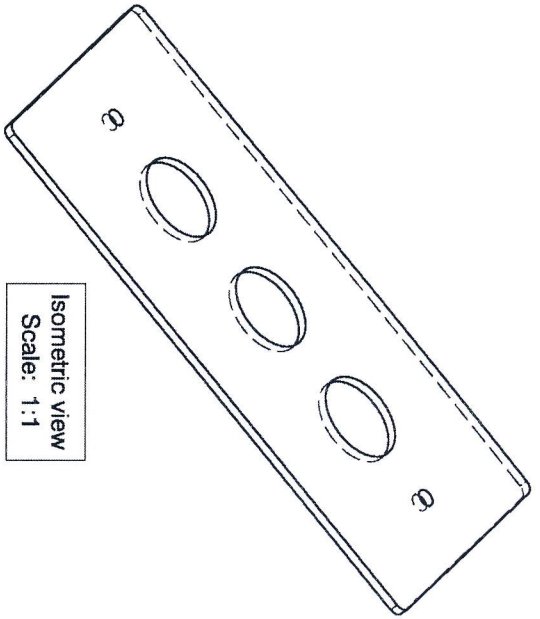


Front view
Scale: 1:1



Top view
Scale: 1:1



Isometric view
Scale: 1:1

TOLEANCE NETOLEPOVANYCH ROZMERNU DLE
WECO STD. 10-2311 - LEVEL C
TOLERANCE FOR DIMENSIONS WITHOUT TOLERANCE
INFORMATION, ACC. WECO STD. 10-2311 - LEVEL C

All proprietary rights reserved by CNH Industrial N.V. and/or one of its subsidiaries. This drawing shall not be reproduced, or in any way utilized, for the manufacture of the component or unit herein illustrated and must not be released to other parties, without written consent of the proprietor. Any infringement will be legally pursued.

STANDARDS mentioned: FGS2806, 18-1317, 18-1805, 10-9011, 10-2311
General rules: WECO STD. 10-2311

PIECH ODBĚRY VE $\pm 0,2$ mm DCC1 + ZF110RB DLE IS. 10-9011
BORŤNENÉ DLE TAB. II, PŮVODNĚ OCHRANĚNÁ DLE TAB. III, S. 18-1805, TRIDA D. S KATAFOREZOU
BARVA: RAL 9005 M41

SHEET METAL Thickness: 2,0mm DCC1 + ZF110RB ACCORDING IS. 10-9011
EDGE REMOVAL ACC. TAB. II, SURFACE PROTECT. ACC. TAB. III, S. 18-1805, CL. D, WITH CATIA
COLOUR: RAL 9005 M41

Modifications

00 - RELEASE SERIAL DOC.

Scale	1:1	Material	FEPP01 (DCC1)	Standards	FGS2806	Code No	20213
CNH0	n° 0						
	n° 0		ZF110RB - IS 18-1317				882
		Mass (kg)	0,100	Blank No			
		Description	PLATE	Laticon Code	170020		
Drawn by	BERNAT PAIR	Date	24.4.2017				
Checked by	HOLUB JIRI	Date	25.4.2017				
Approved	HOLUB	Signature	ED94	Index	Modification	Issue Code	Date
Model	LE EG						
Order No.	5802348054	Manufacturer	PEVA	No.	5802348054	ED 57-3601	Sheet
							1/1
							A3

