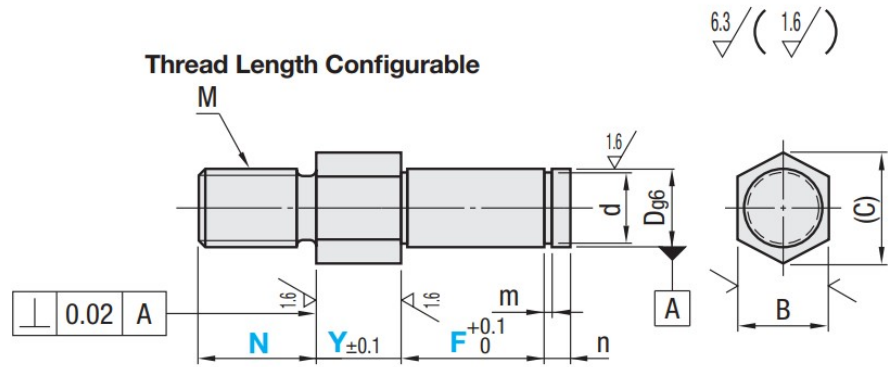


Hex

RoHS



Thread Length Configurable



Refer to the table below for thread undercut dimensions.

[mm]

Dg6	–	20
d	–	19
M	–	M10
N	–	25
Y	–	10
F	–	60
m	–	1,35
n	–	4
B	–	24
(C)	–	27,7